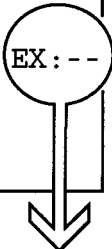
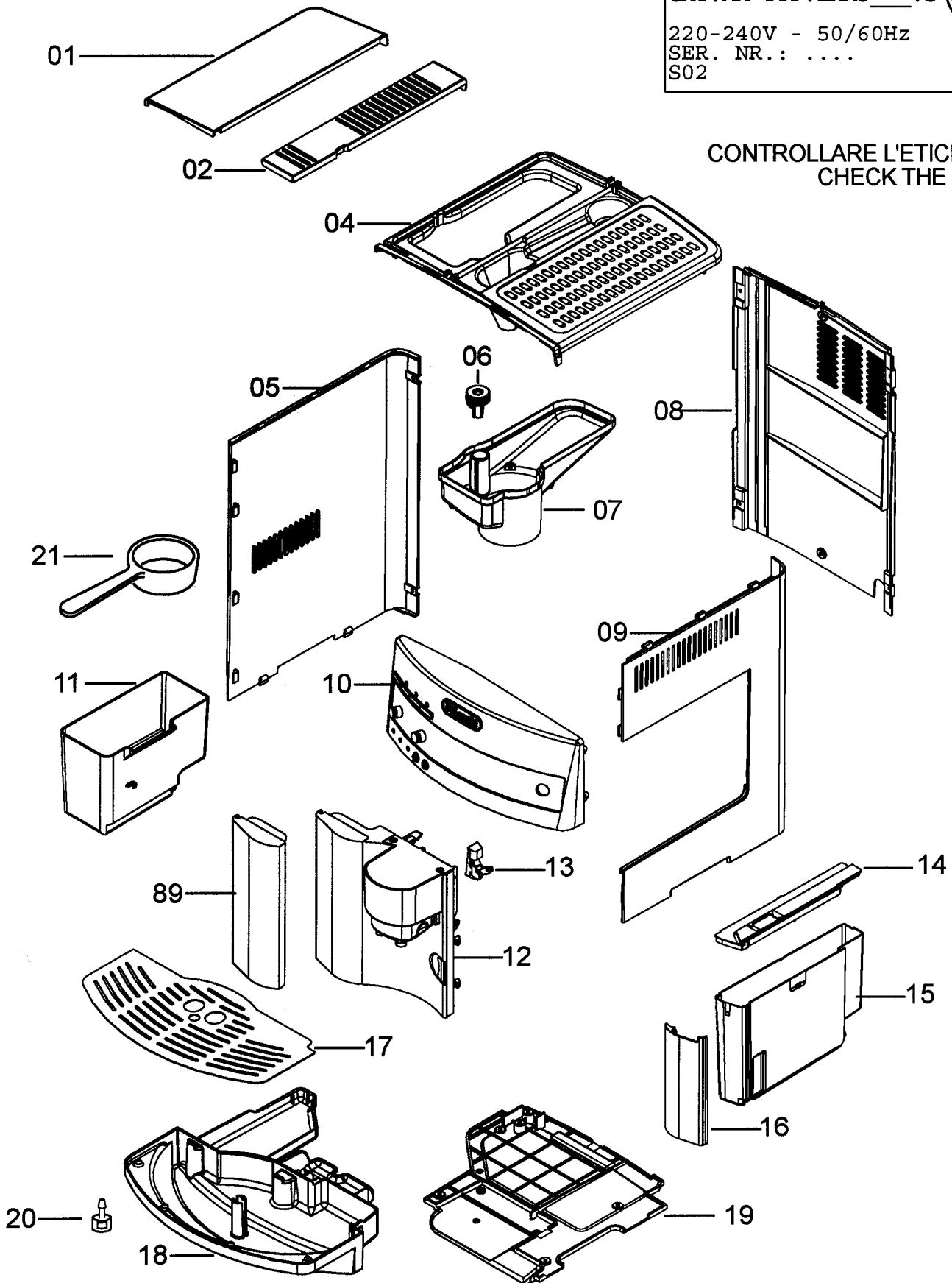


DE'LONGHI "INT/SA/RU/SKA" EAM3100.SB
Include i codici / include codes NO:EX - EX:A - EX:B

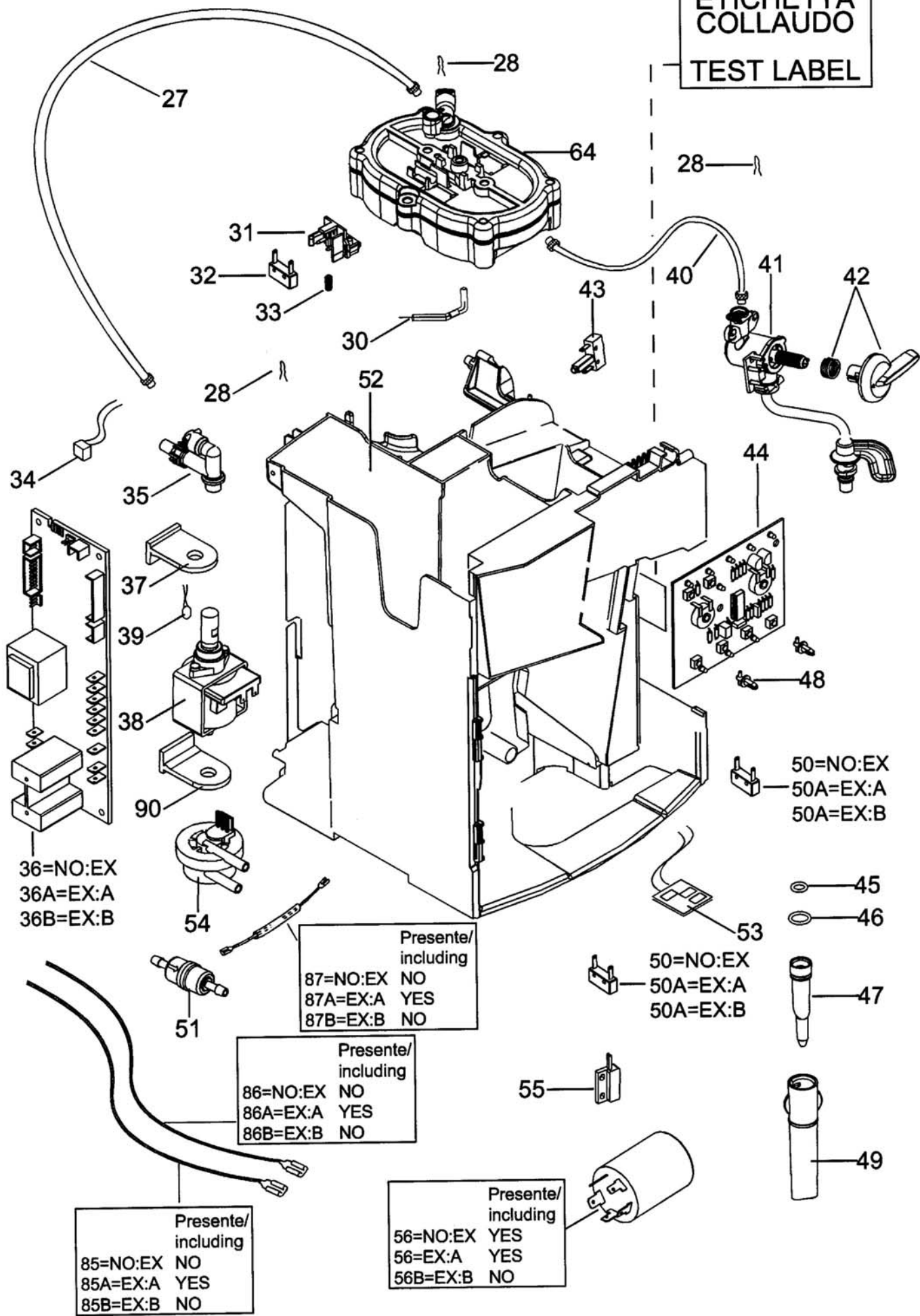
De'Longhi De'Longhi SpA
TREVISO-ITALIA
Made in Italy
CAT:MA TYP:EAM3__S EX:--
220-240V - 50/60Hz
SER. NR.:



CONTROLLARE L'ETICHETTA
CHECK THE LABEL



**ETICHETTA
COLLAUDO**
TEST LABEL



36=NO:EX
36A=EX:A
36B=EX:B

| | |
|------------------------|-----|
| Presente/ including | |
| 85=NO:EX | NO |
| 85A=EX:A | YES |
| 85B=EX:B | NO |

| | |
|------------------------|-----|
| Presente/ including | |
| 86=NO:EX | NO |
| 86A=EX:A | YES |
| 86B=EX:B | NO |

| | |
|------------------------|-----|
| Presente/ including | |
| 87=NO:EX | NO |
| 87A=EX:A | YES |
| 87B=EX:B | NO |

| | |
|------------------------|-----|
| Presente/ including | |
| 56=NO:EX | YES |
| 56=EX:A | YES |
| 56B=EX:B | NO |

50=NO:EX
50A=EX:A
50A=EX:B

50=NO:EX
50A=EX:A
50A=EX:B

45
46

47

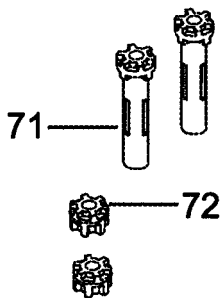
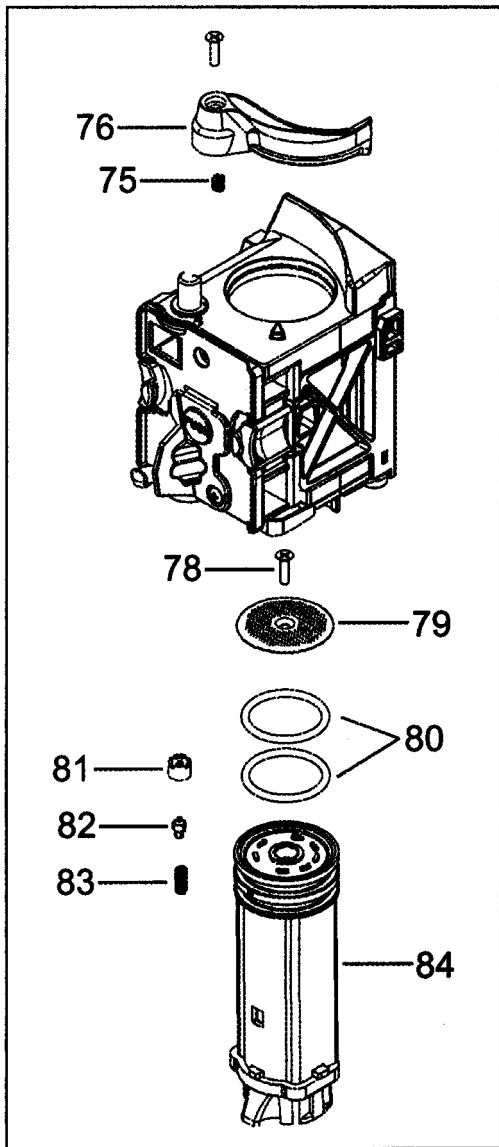
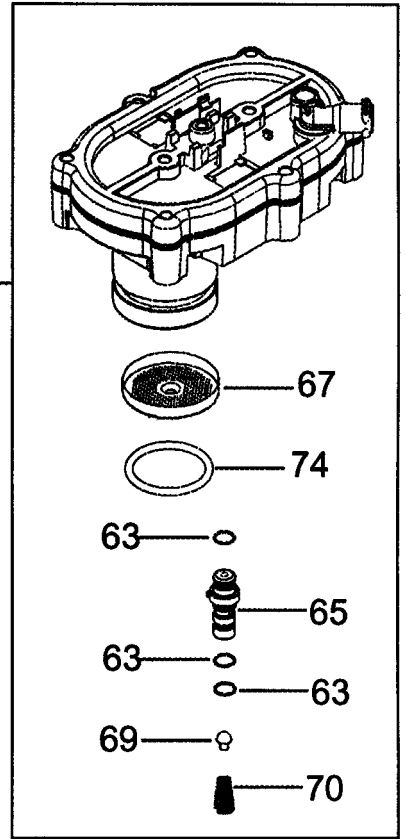
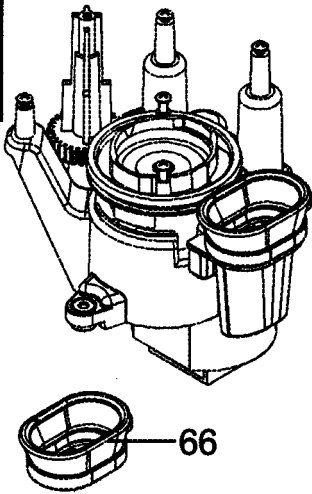
49

ETICHETTA
COLLAUDO
TEST LABEL

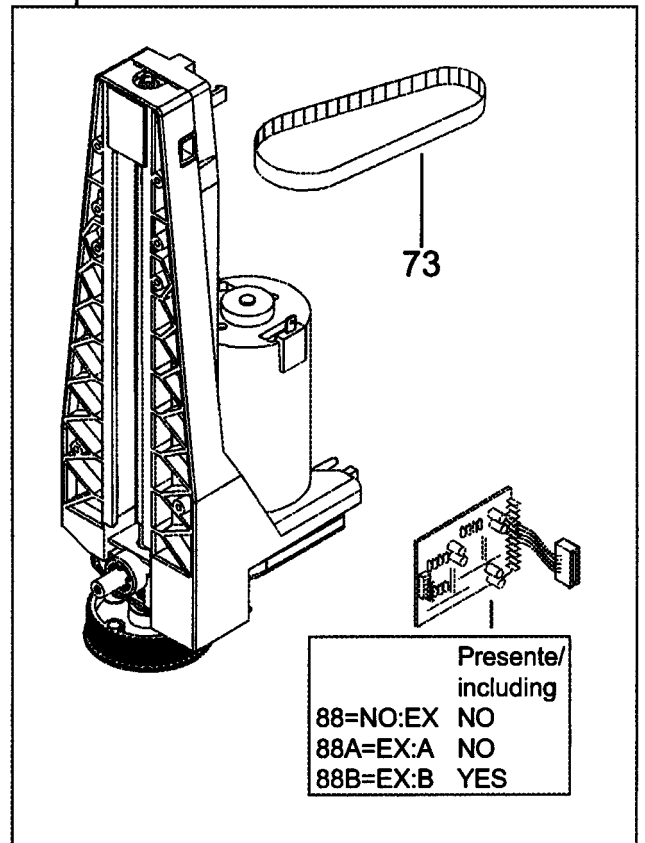
CCCC **EE** SSSSS PPPP

**PER ORDINARE CONTROLLARE L'ETICHETTA
← TO PLACE AN ORDER CHECK THE LABEL**

**AA=62
AB=62B**



68=NO:EX
68=EXA
68B=EX:B



| | Presente/ including |
|----------|------------------------|
| 88=NO:EX | NO |
| 88A=EX:A | NO |
| 88B=EX:B | YES |

DE'LONGHI
RU SA INT SKA EAM3100.SB
EAM 3100.SB MAGNIFICA SILVER &
NERA

| Pos. | Code | Description |
|------|------------|---------------------------------|
| | 5332224100 | BELT |
| | 5313210401 | COVER-SAVE FINGERS B BLACK |
| | 7313217261 | MOTOR ASSEMBLY |
| 01 | 5332143500 | COVER |
| 02 | 5332143400 | COVER |
| 04 | 7313224511 | CLOSURE |
| 05 | 5332143900 | SIDE LEFT |
| 06 | 5913210471 | KNOB |
| 07 | 5532146600 | TANK |
| 08 | 5332168900 | REAR PANEL |
| 09 | 5332143800 | SIDE RIGHT |
| 10 | 7332172100 | CONTROL PANEL ASSEMBLY |
| 11 | VI000 | SEE TECHNICAL INFORMATION |
| 12 | 7313220621 | DOOR ASSY |
| 13 | 5332142600 | HOOK |
| 14 | 5332145600 | COVER |
| 15 | 7313228241 | TANK |
| 16 | 5332153300 | PROFILE |
| 17 | 6032105000 | CUP PLATE |
| 18 | 5332144200 | TRAY |
| 19 | 5332225800 | BOTTOM |
| 20 | 5332266300 | FLOAT |
| 21 | 5332169200 | MEASURING SPOON |
| 27 | 5532118000 | TUBE PTFE DI2-DE4 L=230 2BUSHES |
| 28 | 6132101300 | CLIP |
| 30 | 5032513900 | TCO |
| 31 | 5332142200 | SUPPORT |
| 32 | 5132104100 | MICROSWITCH |
| 33 | 6132104700 | SPRING |
| 34 | 5217100200 | SENSOR NTC |
| 35 | 7313219431 | VALVE |
| 36 | 5232102900 | POWER BOARD |
| 36A | 5232105200 | POWER BOARD |
| 36B | 5232109400 | POWER BOARD |
| 37 | 5332159800 | SUPPORT |
| 38 | 5113211281 | PUMP |
| 39 | 5232103200 | PROTECTOR |

DE'LONGHI
RU SA INT SKA EAM3100.SB
**EAM 3100.SB MAGNIFICA SILVER &
 NERA**

| | | |
|-----|------------|---------------------------------|
| 40 | 5513213761 | TUBE PTFE DI2-DE4 L=190 2BUSHES |
| 41 | 7313216621 | TAP |
| 42 | 5513222451 | KNOB |
| 43 | 5113210421 | MICROSWITCH |
| 44 | 5232110000 | CONTROL BOARD 11 PIN |
| 45 | 5313217761 | O-RING |
| 46 | 533135 | O-RING |
| 47 | 5332113800 | TUBE LOWER |
| 48 | 5332146600 | EXTENSION |
| 49 | 5332229600 | COVER |
| 50 | 5113210421 | MICROSWITCH |
| 50A | 5132105400 | MICROSWITCH |
| 51 | 5513220521 | FILTER |
| 52 | VI000 | SEE TECHNICAL INFORMATION |
| 53 | 5213213971 | HALL SENSOR |
| 54 | 5213214671 | FLOWMETER |
| 55 | 5232104600 | SENSOR REED |
| 56 | 5132105000 | FUSE |
| 56 | 5132104600 | NOISE FILTER |
| 62 | IT0087 | SEE TECHNICAL INFORMATION |
| 62B | 7332203600 | COMPLETE GRINDER |
| 63 | 5313217751 | O-RING |
| 64 | 7332182500 | GENERATOR |
| 65 | 5332142700 | PIN |
| 66 | 5332144900 | GASKET |
| 67 | 5332139200 | FILTER |
| 68B | 7313226111 | TRANSMISSION KIT |
| 68 | 7313226111 | TRANSMISSION KIT |
| 69 | 5332148400 | VALVE |
| 70 | 6132106900 | SPRING |
| 71 | 5332142300 | BUSH |
| 72 | 5332142400 | BUSH |
| 73 | 5332170600 | BELT |
| 74 | 5332149100 | O-RING |
| 75 | 6132103500 | SPRING |
| 76 | 5332139800 | LEVER |
| 77 | 7332183900 | DIFFUSER KIT |
| 78 | 9812631250 | SCREW |

DE'LONGHI

EAM 3100.SB MAGNIFICA SILVER &

RU SA INT SKA EAM3100.SB

NERA

| | | |
|-----|------------|-----------------------------|
| 79 | 6032105300 | FILTER |
| 80 | 5332149100 | O-RING |
| 81 | 5332139600 | STOPPER |
| 82 | 5332139500 | VALVE |
| 83 | 6132106700 | SPRING |
| 84 | 5332140300 | PISTON |
| 85A | 5032515900 | HEATING Element GREEN CABLE |
| 86A | ES000 | *NOT AVAILABLE |
| 87 | 5132105000 | FUSE |
| 88B | 5213212381 | MOTOR BOARD |
| 89 | 5332147500 | COVER |
| 90 | 534848 | SUPPORT |
| 91 | 7332166600 | SLIDER |