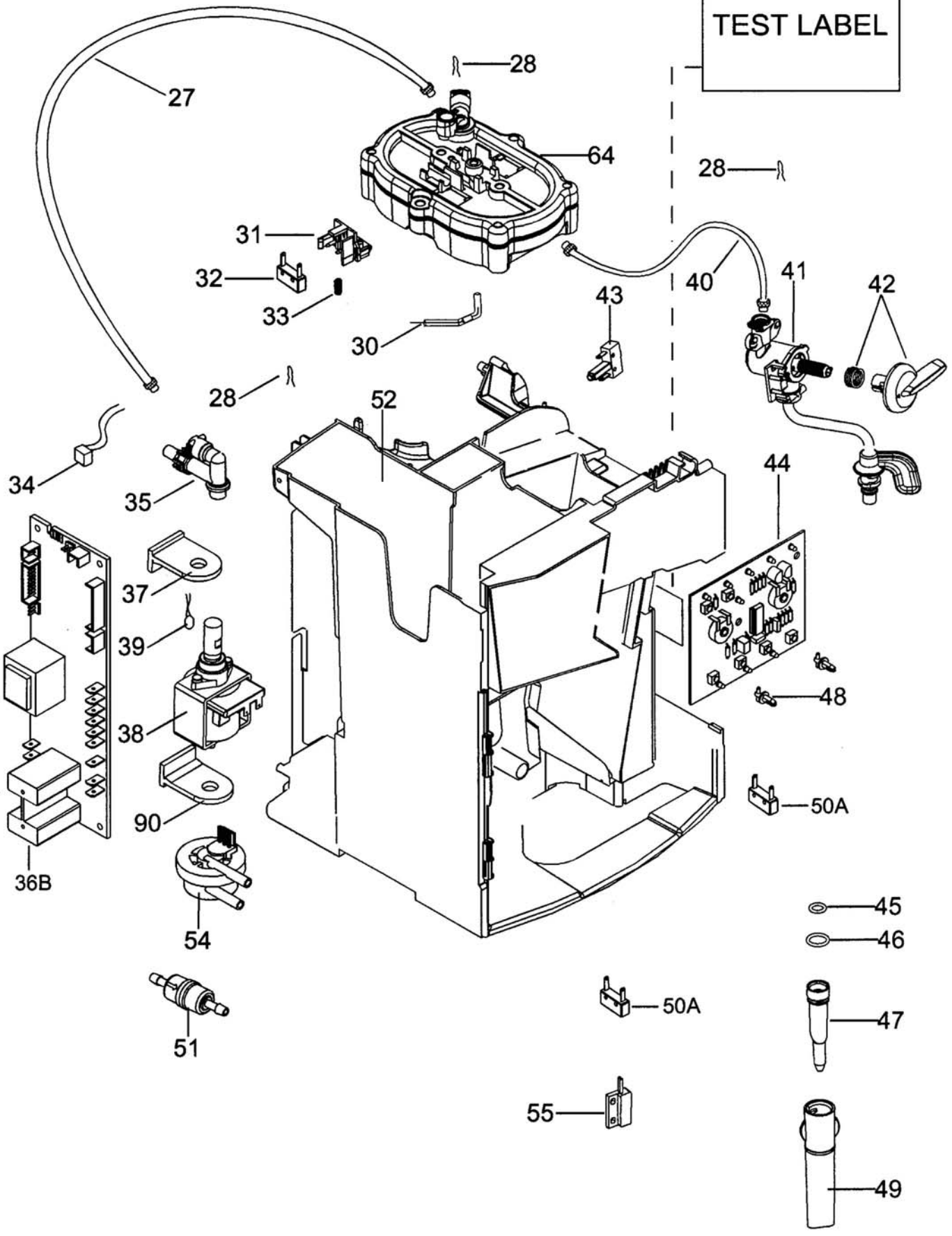


TEST LABEL

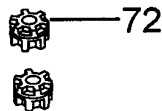
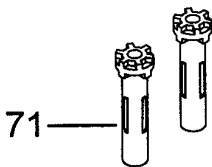
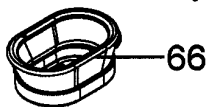
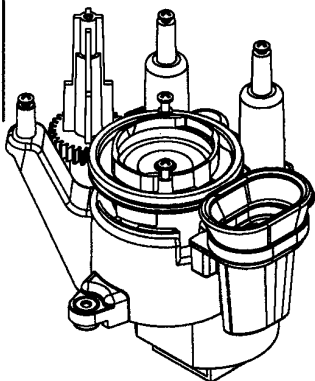


TEST LABEL

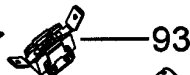
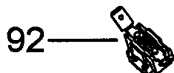
← TO PLACE AN ORDER CHECK THE LABEL

CCCCC **EE** SSSSS PPPP

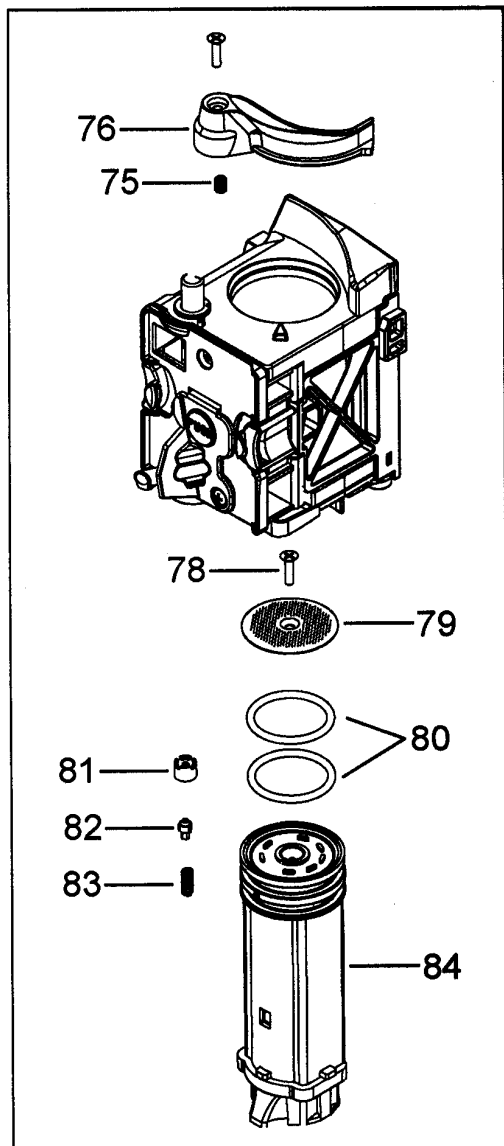
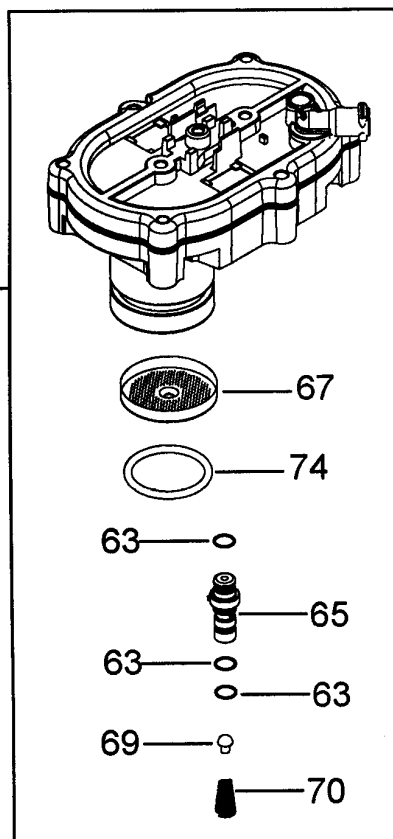
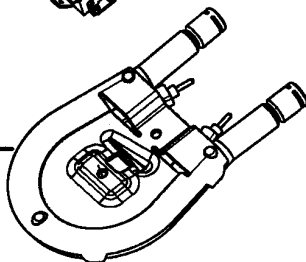
AB=62B



64



95



76

75

78

79

80

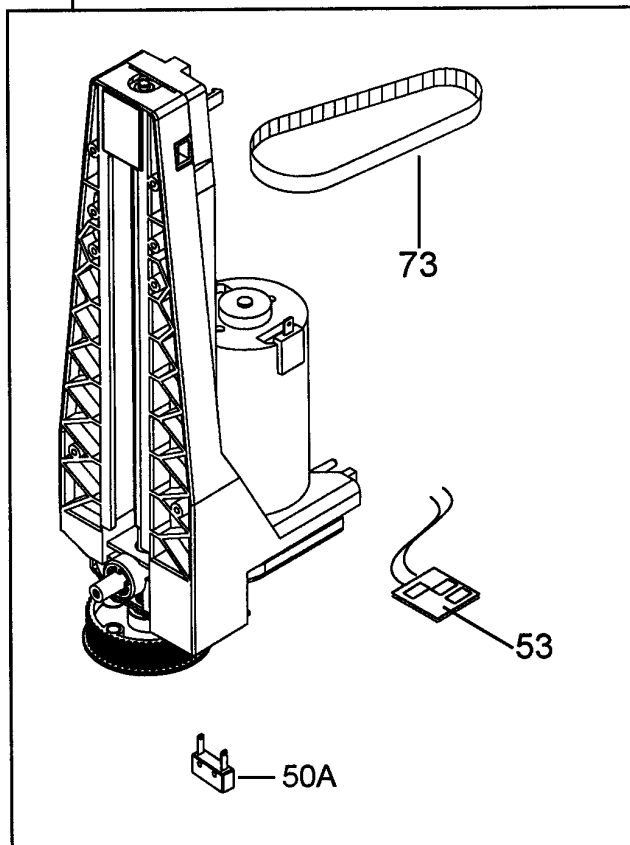
81

82

83

84

68B



73

53

50A

Pos.	Code	Description
	5332224100	BELT
	5332108700	GASKET
	5313210401	COVER-SAVE FINGERS B BLACK
	5013252911	CAB CONTATORE-VOLUMETRICO L630(PVC) MCSA
	7313217261	MOTOR ASSEMBLY
01	5332143500	COVER
02	5332143400	COVER
04	7313224511	CLOSURE
05	5332143900	SIDE LEFT
06	5913210471	KNOB
07	5532146600	TANK
08	5332168900	REAR PANEL
09	5332143800	SIDE RIGHT
10	7332180800	CONTROL PANEL ASSEMBLY
11	VI000	SEE TECHNICAL INFORMATION
12	7313220611	DOOR ASSY
13	5332142600	HOOK
14	5332145600	COVER
15	7313228241	TANK
16	5332151700	PROFILE
17	6032105000	CUP PLATE
18	5332180000	TRAY
19	5332225800	BOTTOM
20	5332266300	FLOAT
21	5332169200	MEASURING SPOON
27	5513212881	TUBE PTFE DI2-DE4 L=270 2BUSHES
28	6132101300	CLIP
30	5032526900	WIRING TCO
31	5332142200	SUPPORT
32	5132104100	MICROSWITCH
33	6132104700	SPRING
34	5217100200	SENSOR NTC
35	7313219431	VALVE
36B	5232119500	POWER BOARD
37	5332159800	SUPPORT
38	5113211281	PUMP
39	5232103200	PROTECTOR

DE'LONGHI

ESAM 3300.S MAGNIFICA

AU NZ ESAM3300.S

40	5513212881	TUBE PTFE DI2-DE4 L=270 2BUSHES
41	7313216621	TAP
42	5532122200	KNOB
43	5113210421	MICROSWITCH
44	5232110000	CONTROL BOARD 11 PIN
45	5313217761	O-RING
46	533135	O-RING
47	5332113800	TUBE LOWER
49	5332229600	COVER
50	5113210421	MICROSWITCH
50A	5132105400	MICROSWITCH
51	5513220521	FILTER
52	VI000	SEE TECNICAL INFORMATION
53	5213213971	HALL SENSOR
54	5213214671	FLOWMETER
55	5232104600	SENSOR REED
62B	7332203600	COMPLETE GRINDER
63	5313217751	O-RING
64	7313213911	GENERATOR
65	5332184900	PIN
66	5332144900	GASKET
67	5332139200	FILTER
68B	7313226111	TRANSMISSION KIT
69	5332148400	VALVE
70	6132106900	SPRING
71	5332142300	BUSH
72	5332142400	BUSH
73	5332170600	BELT
74	5332149100	O-RING
75	6132103500	SPRING
76	5332139800	LEVER
77	7332183900	DIFFUSER KIT
78	9812631250	SCREW
79	6032105300	FILTER
80	5332149100	O-RING
81	5332139600	STOPPER
82	5332139500	VALVE
83	6132106700	SPRING

DE'LONGHI**ESAM 3300.S MAGNIFICA****AU NZ ESAM3300.S**

84	5332140300	PISTON
88B	5213212381	MOTOR BOARD
89	5332171500	COVER
90	534848	SUPPORT
91	7332166600	SLIDER
92	5232105000	TCO
93	5232104500	THERMOSTAT
94	5213210171	SOLENOID VALVE
95	IT0286	SEE TECHNICAL INFORMATION