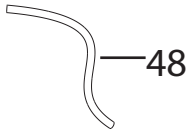
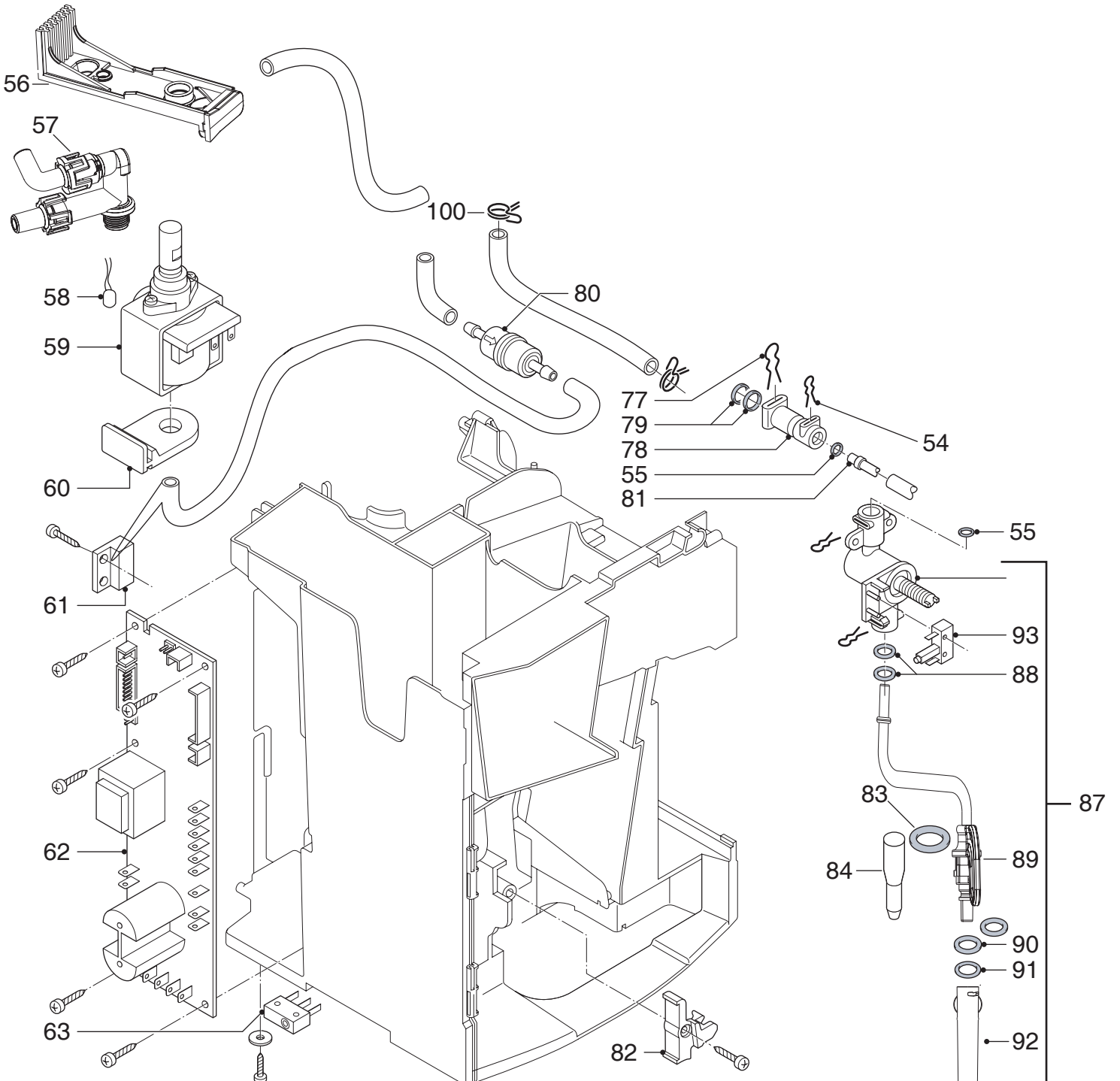
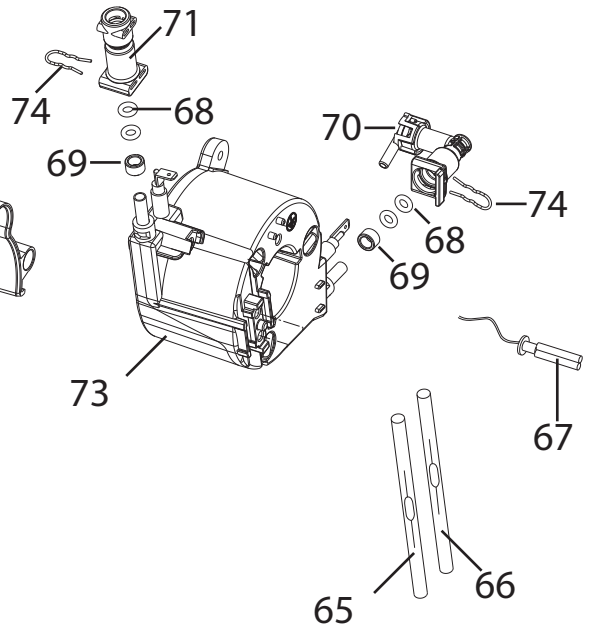
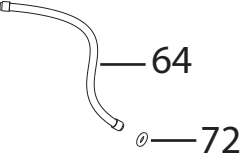


SERIE TUBI
TUBE SERIES



SERIE TUBI CON BOCCOLE
TUBE SERIES WITH BUSHES



A RU INT EST SKA TR ESAM3200.S

| Pos.1 | Code | Description |
|-------|------------|--|
| | 5332224100 | BELT |
| | 5313210401 | COVER-SAVE FINGERS B BLACK |
| | 5213214671 | FLOWMETER |
| | 5332108700 | GASKET |
| | 5013252911 | CAB CONTATORE-VOLUMETRICO L630(PVC) MCSA |
| 001 | 5332143500 | COVER |
| 002 | 5332143400 | COVER |
| 004 | 5332262800 | CLOSURE |
| 005 | 5332143900 | SIDE LEFT |
| 006 | 5913210471 | KNOB |
| 007 | 5532146600 | TANK |
| 008 | 5313218991 | REAR PANEL |
| 009 | 5332143800 | SIDE RIGHT |
| 010 | 5213212291 | BOARD |
| 011 | VI000 | SEE TECNICAL INFORMATION |
| 012 | 7313220621 | DOOR ASSY |
| 013 | 5332142600 | HOOK |
| 014 | 5332145600 | COVER |
| 015 | 7313228241 | TANK |
| 016 | 5332151700 | PROFILE |
| 017 | 6032105000 | CUP PLATE |
| 018 | 5332144200 | TRAY |
| 019 | 5332225000 | BOTTOM |
| 020 | 5332266300 | FLOAT |
| 021 | 5332151600 | COVER |
| 023 | 5213213011 | CONTROL BOARD 8 PIN |
| 023 | 5232110000 | CONTROL BOARD 11 PIN |
| 027 | 7313224411 | CONTROL PANEL ASSEMBLY |
| 029 | 5513222451 | KNOB |
| 030 | 6032105300 | FILTER |
| 031 | 5332149100 | O-RING |
| 032 | 7332222900 | INFUSION KIT |
| 034 | 7332203600 | COMPLETE GRINDER |
| 035 | 5332142200 | SUPPORT |
| 036 | 6132104700 | SPRING |
| 037 | 5132105700 | MICROSWITCH |
| 038 | 7332166600 | SLIDER |

DE'LONGHI

ESAM 3200.S EX:1

A RU INT EST SKA TR ESAM3200.S

| | | |
|-------|------------|---------------------------------|
| 039:1 | 5332142400 | BUSH |
| 040 | 5332142300 | BUSH |
| 042 | 5313217751 | O-RING |
| 043 | 5332213000 | PIN |
| 044 | 5332148400 | VALVE |
| 045 | 6132106900 | SPRING |
| 046 | 5332144900 | GASKET |
| 047 | 5332139200 | FILTER |
| 048 | 5332110600 | TUBE (SIL NAT)DI=4 L=220 |
| 048 | 5332178100 | TUBE (SIL NAT)DI=4 L=270 |
| 048 | 5332150700 | TUBE (SIL NAT) DI=4 L=55 |
| 048 | 5332174600 | TUBE (SIL NAT)DI=5 L=270 |
| 049 | 5113210421 | MICROSWITCH |
| 050 | 5132110500 | MICROSWITCH |
| 051 | 5213213971 | HALL SENSOR |
| 052 | 5332170600 | BELT |
| 053 | 7313226071 | TRANSMISSION KIT |
| 054 | 6132101300 | CLIP |
| 055 | 5313217701 | O-RING D=3,85 |
| 056 | 5313216501 | SUPPORT |
| 057 | 7313219431 | VALVE |
| 058 | 5213211161 | PROTECTOR |
| 059 | 5113211281 | PUMP |
| 060 | 534848 | SUPPORT |
| 061 | 5232104600 | SENSOR REED |
| 062 | 5213213691 | POWER BOARD |
| 063 | 5132105400 | MICROSWITCH |
| 064 | 5513213801 | TUBE PTFE DI2-DE4 L=180 2BUSHES |
| 065 | 5013251401 | WIRING TCO |
| 066 | 5013251931 | WIRING TCO |
| 067 | 5217100200 | SENSOR NTC |
| 068 | 5313217691 | O-RING D=4,5 |
| 069 | 5332239300 | SPACER |
| 070 | 5313218931 | CONNECTION |
| 071 | 5332239200 | CONNECTOR |
| 072 | 5313217701 | O-RING D=3,85 |
| 073 | 5513214291 | GENERATOR |
| 074 | 6113210021 | SPRING |

DE'LONGHI

ESAM 3200.S EX:1

A RU INT EST SKA TR ESAM3200.S

| | | |
|-------|------------|----------------|
| 075:1 | 7313217261 | MOTOR ASSEMBLY |
| 077 | 6113210021 | SPRING |
| 078 | 5332239200 | CONNECTOR |
| 079 | 5313217691 | O-RING D=4,5 |
| 082 | 5332142600 | HOOK |
| 083 | 5313219281 | O-RING |
| 084 | 5332113800 | TUBE LOWER |
| 085 | 7313217501 | INFUSOR |
| 087 | 7313216621 | TAP |
| 088 | 5332144800 | O-RING D=6 |
| 089 | 5513213371 | TUBE LOWER |
| 090 | 5313219271 | O-RING |
| 091 | 535693 | GASKET |
| 092 | 5332229600 | COVER |
| 093 | 5113210421 | MICROSWITCH |
| 094 | 5332139800 | LEVER |
| 095 | 6132103500 | SPRING |
| 096 | 9812631250 | SCREW |
| 097 | 5332139600 | STOPPER |
| 098 | 5332139500 | VALVE |
| 099 | 6132112200 | SPRING |
| 100 | 9824800014 | CLIP CLAMP |