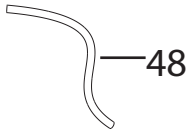
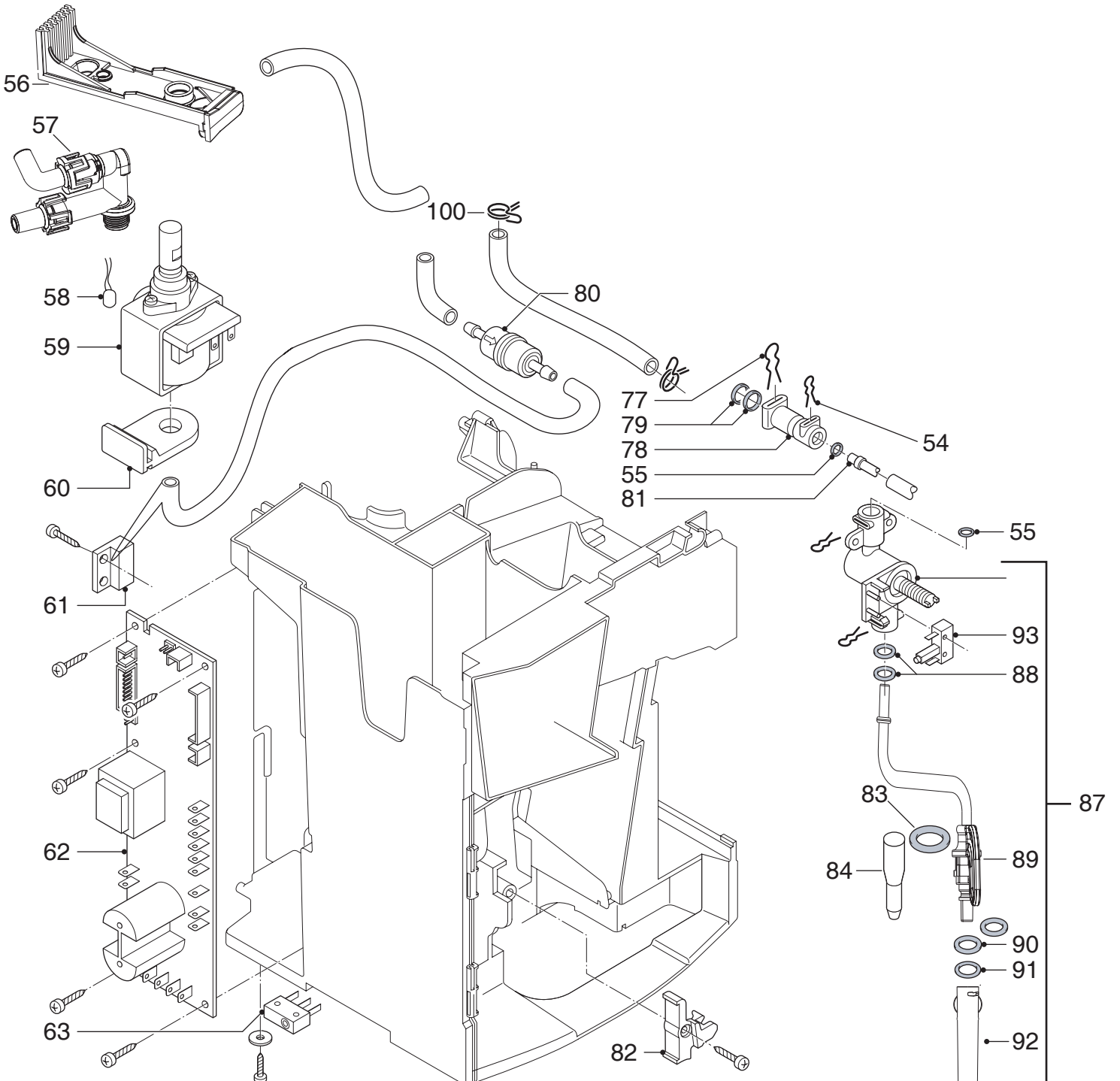
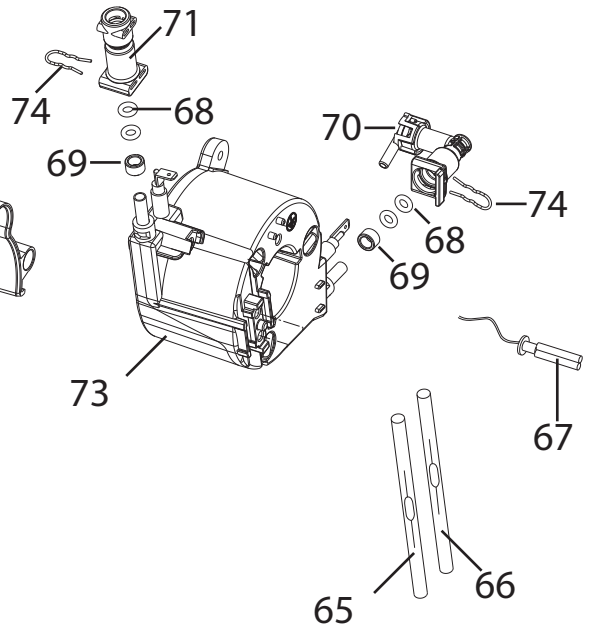
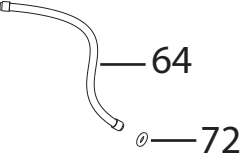


SERIE TUBI  
TUBE SERIES



SERIE TUBI CON BOCCOLE  
TUBE SERIES WITH BUSHES



## A RU INT EST SKA TR ESAM2200.S

Pos.1	Code	Description
	5013252911	CAB CONTATORE-VOLUMETRICO L630(PVC) MCSA
	7313217261	MOTOR ASSEMBLY
	5332108700	GASKET
	5332224100	BELT
	5313210401	COVER-SAVE FINGERS B BLACK
	5213214671	FLOWMETER
001	5332143500	COVER
002	5332143400	COVER
004	7313224511	CLOSURE
005	5332143900	SIDE LEFT
006	5913210471	KNOB
007	5532146600	TANK
008	5313218991	REAR PANEL
009	5332143800	SIDE RIGHT
010	5213212291	BOARD
011	VI000	SEE TECNICAL INFORMATION
012	7313220621	DOOR ASSY
013	5332142600	HOOK
014	5332145600	COVER
015	7313228241	TANK
016	5332151700	PROFILE
017	6032105000	CUP PLATE
018	5332144200	TRAY
019	5332225000	BOTTOM
020	5332266300	FLOAT
021	5913211631	FRONT PANEL
022	5332264500	KNOB
023	5232110000	CONTROL BOARD 11 PIN
023	5213213011	CONTROL BOARD 8 PIN
025	5332151600	COVER
027	5332263700	CONTROL PANEL
029	5513222501	KNOB
030	6032105300	FILTER
031	5332149100	O-RING
032	7332222900	INFUSION KIT
034	7332203600	COMPLETE GRINDER
035	5332142200	SUPPORT

DE'LONGHI

ESAM 2200.S EX:1

## A RU INT EST SKA TR ESAM2200.S

036:1	6132104700	SPRING
037	5132105700	MICROSWITCH
038	7332166600	SLIDER
039	5332142400	BUSH
040	5332142300	BUSH
042	5313217751	O-RING
043	5332213000	PIN
044	5332148400	VALVE
045	6132106900	SPRING
046	5332144900	GASKET
047	5332139200	FILTER
048	5332174600	TUBE (SIL NAT)DI=5 L=270
048	5332110600	TUBE (SIL NAT)DI=4 L=220
048	5332178100	TUBE (SIL NAT)DI=4 L=270
048	5332150700	TUBE (SIL NAT) DI=4 L=55
049	5113210421	MICROSWITCH
050	5132110500	MICROSWITCH
051	5213213971	HALL SENSOR
052	5332170600	BELT
053	7313226071	TRANSMISSION KIT
054	6132101300	CLIP
055	5313217701	O-RING D=3,85
056	5313216501	SUPPORT
057	7313219431	VALVE
058	5213211161	PROTECTOR
059	5113211281	PUMP
060	534848	SUPPORT
061	5232104600	SENSOR REED
062	5213213691	POWER BOARD
063	5132105400	MICROSWITCH
064	5513213801	TUBE PTFE DI2-DE4 L=180 2BUSHES
065	5013251401	WIRING TCO
066	5013251931	WIRING TCO
067	5217100200	SENSOR NTC
068	5313217691	O-RING D=4,5
069	5332239300	SPACER
070	5313218931	CONNECTION
071	5332239200	CONNECTOR

DE'LONGHI

ESAM 2200.S EX:1

## A RU INT EST SKA TR ESAM2200.S

072	5313217701	O-RING D=3,85
073	5513214291	GENERATOR
074	6113210021	SPRING
075	7313217261	MOTOR ASSEMBLY
077	6113210021	SPRING
078	5332239200	CONNECTOR
079	5313217691	O-RING D=4,5
080	5513220521	FILTER
082	5332142600	HOOK
083	5313219281	O-RING
084	5332113800	TUBE LOWER
085	7313217501	INFUSOR
087	7313216621	TAP
088	5332144800	O-RING D=6
089	5513213371	TUBE LOWER
090	5313219271	O-RING
091	535693	GASKET
092	5332229600	COVER
093	5113210421	MICROSWITCH
094	5332139800	LEVER
095	6132103500	SPRING
096	9812631250	SCREW
097	5332139600	STOPPER
098	5332139500	VALVE
099	6132112200	SPRING
100	9824800014	CLIP CLAMP