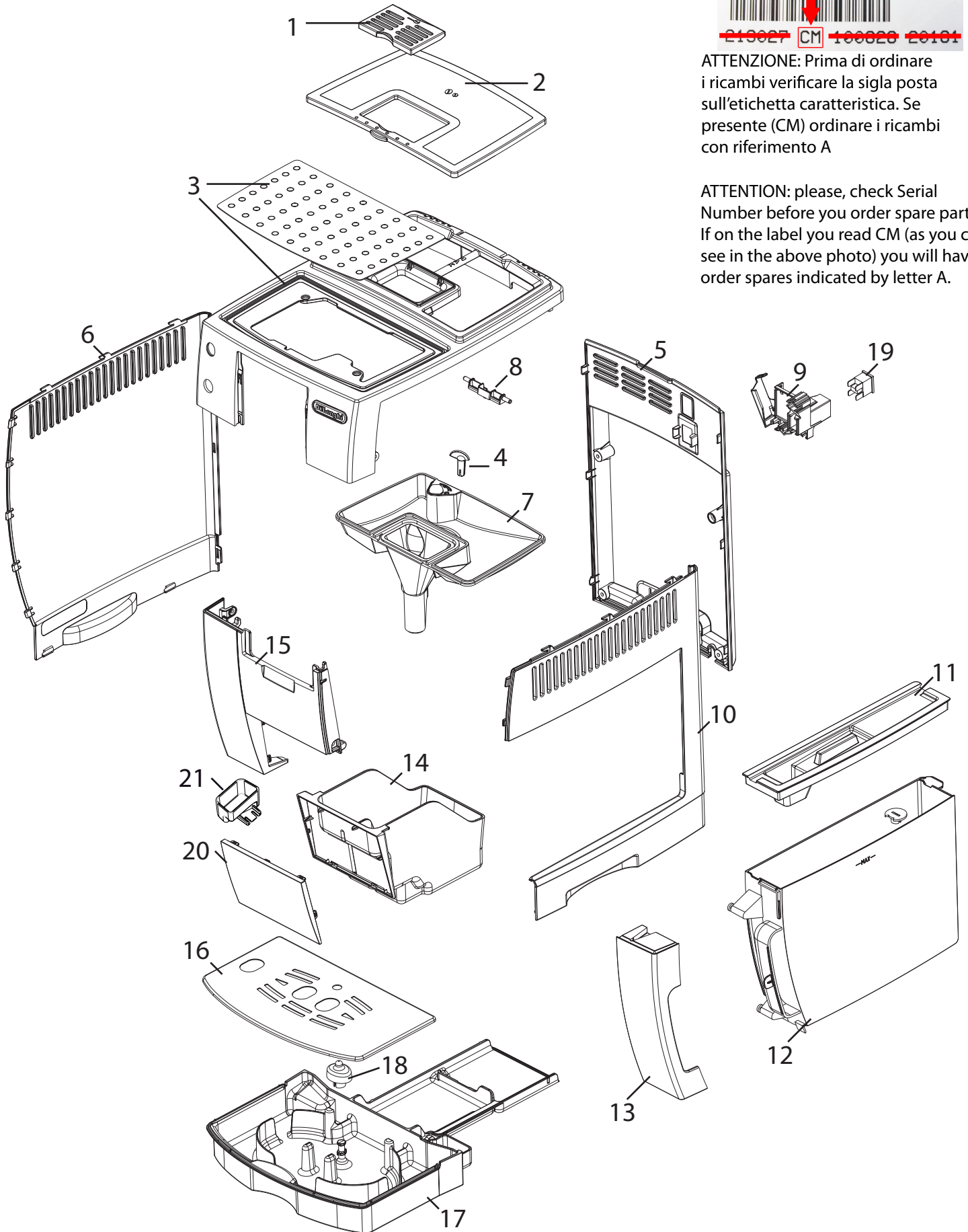
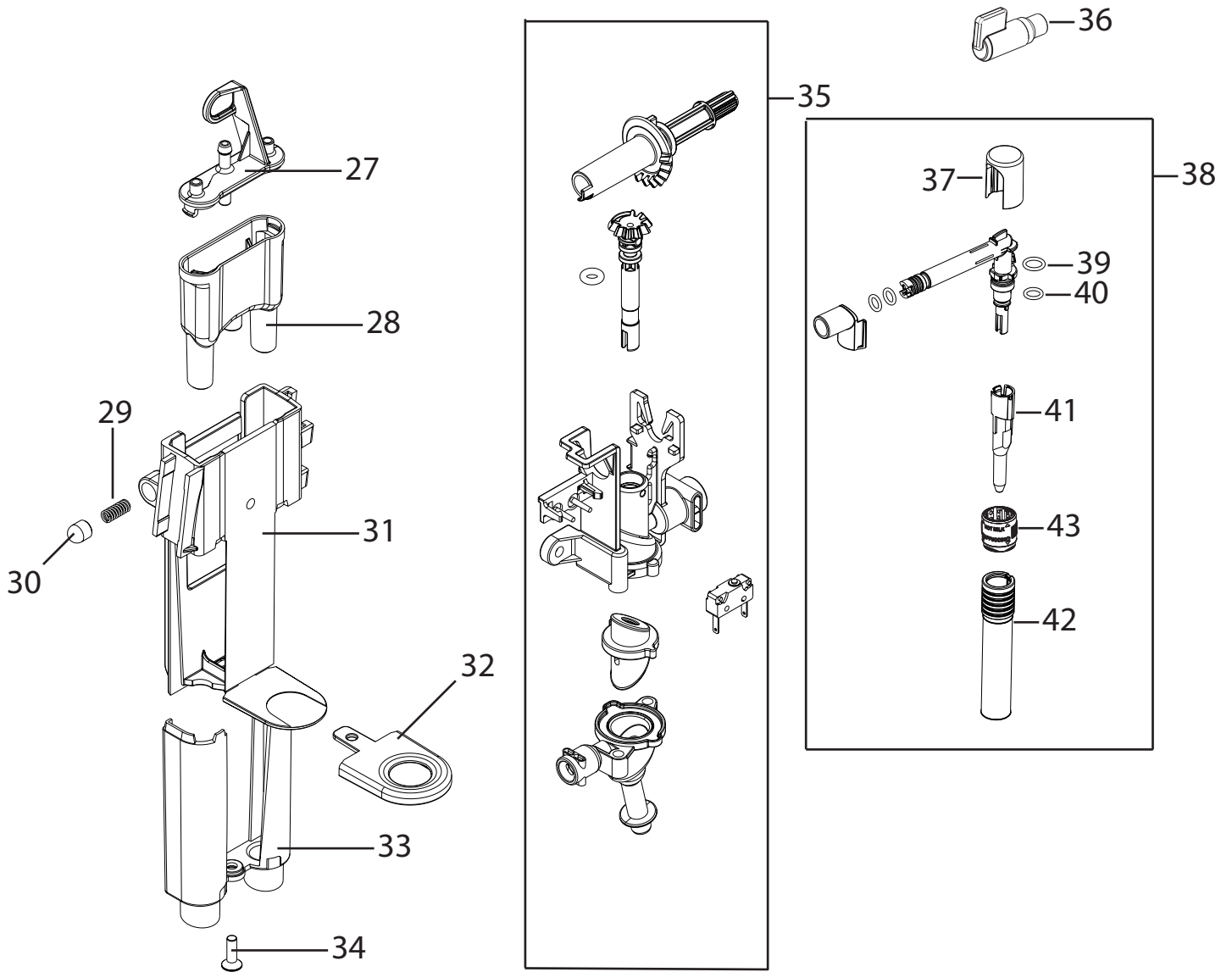
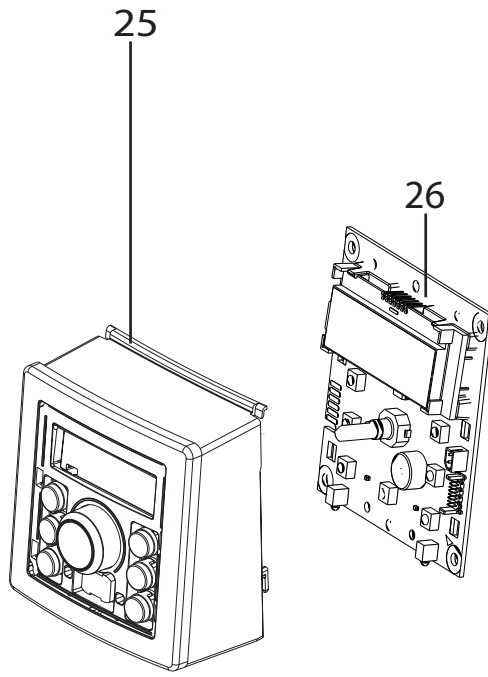


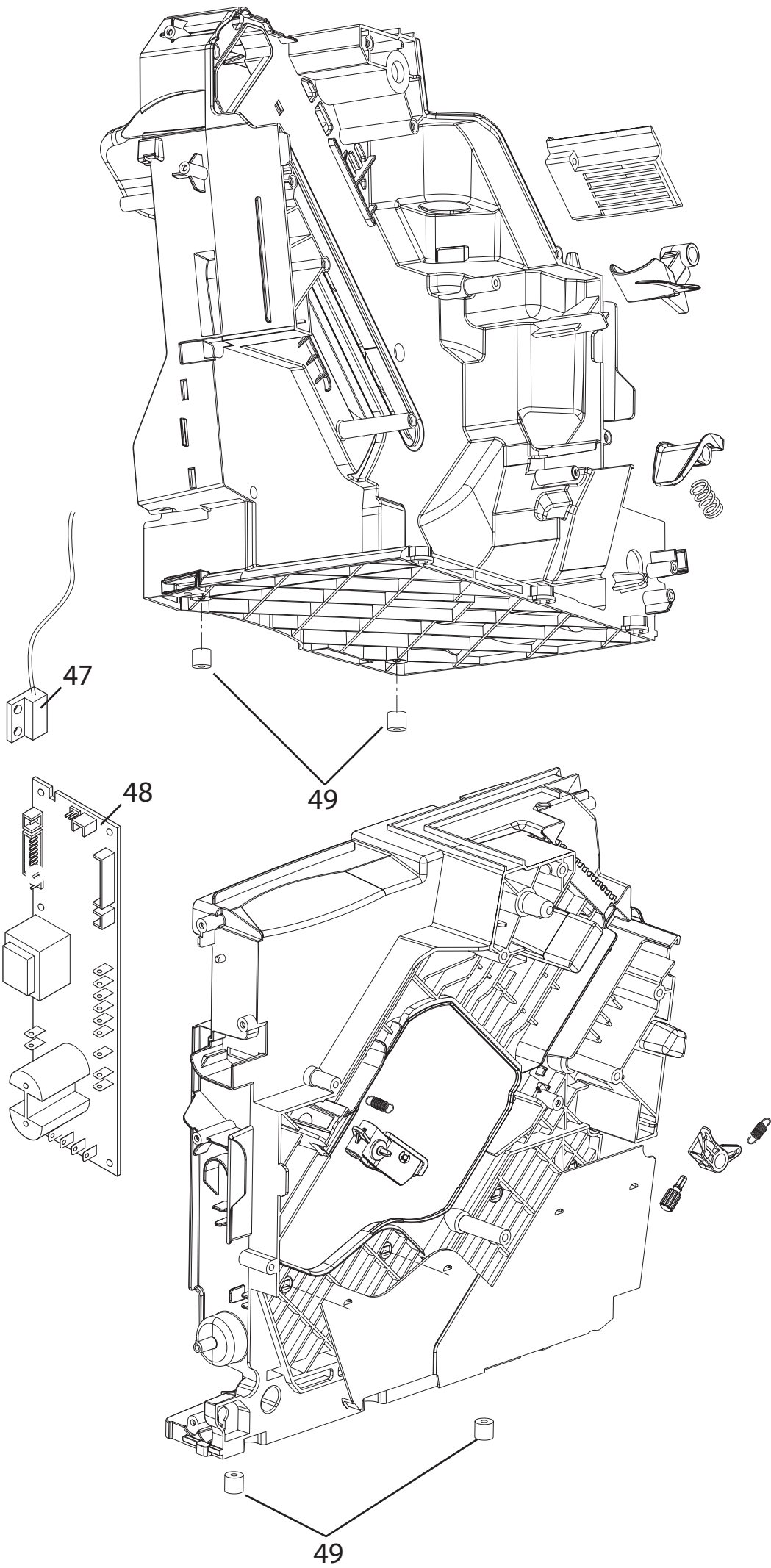


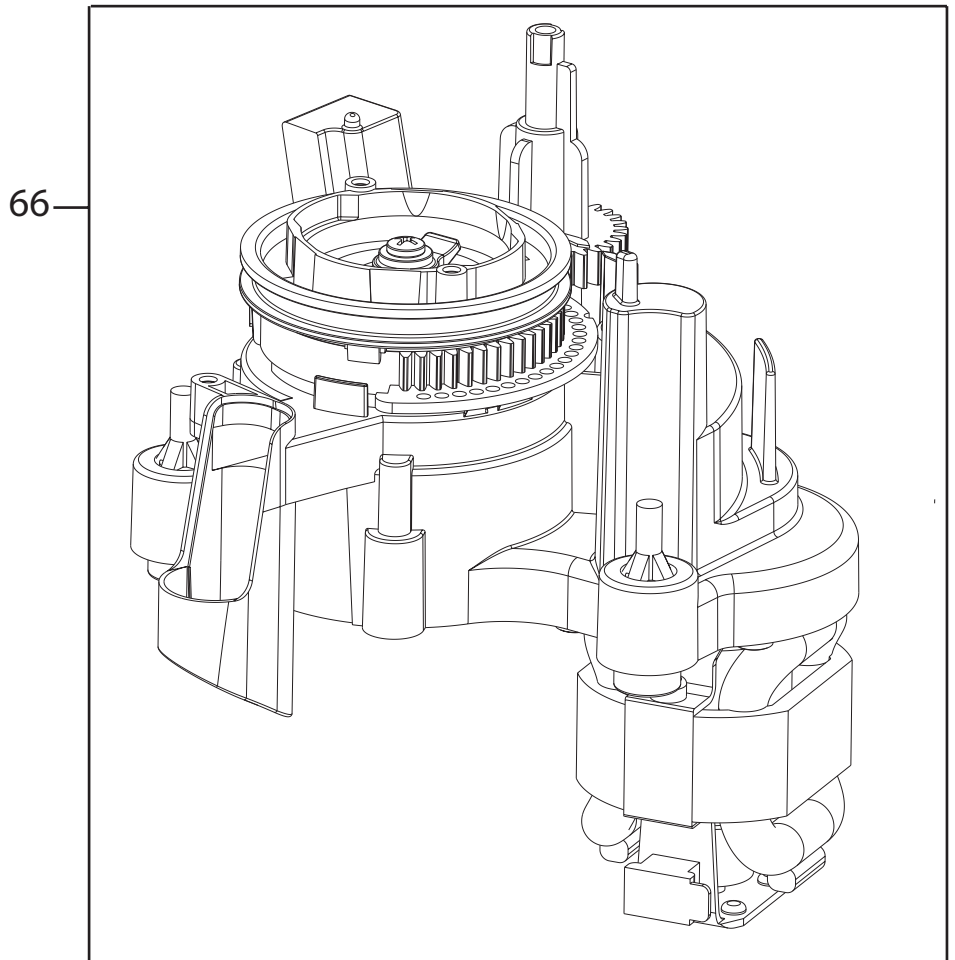
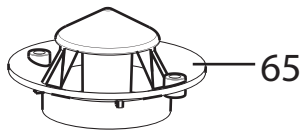
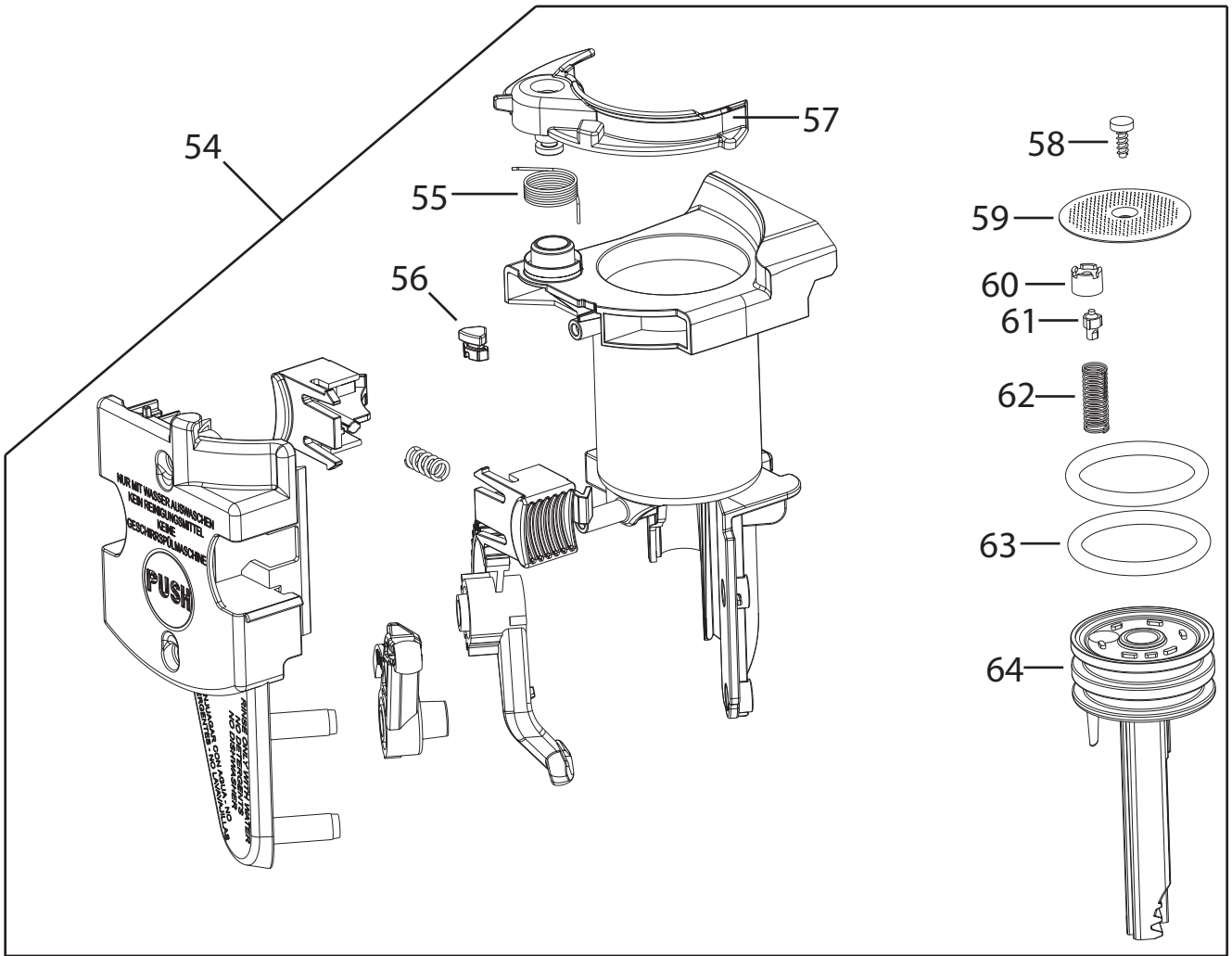
ATTENZIONE: Prima di ordinare i ricambi verificare la sigla posta sull'etichetta caratteristica. Se presente (CM) ordinare i ricambi con riferimento A

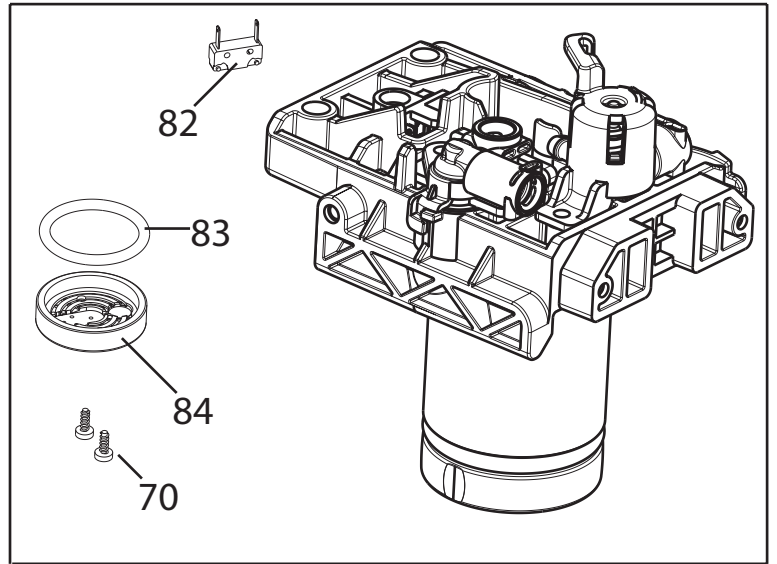
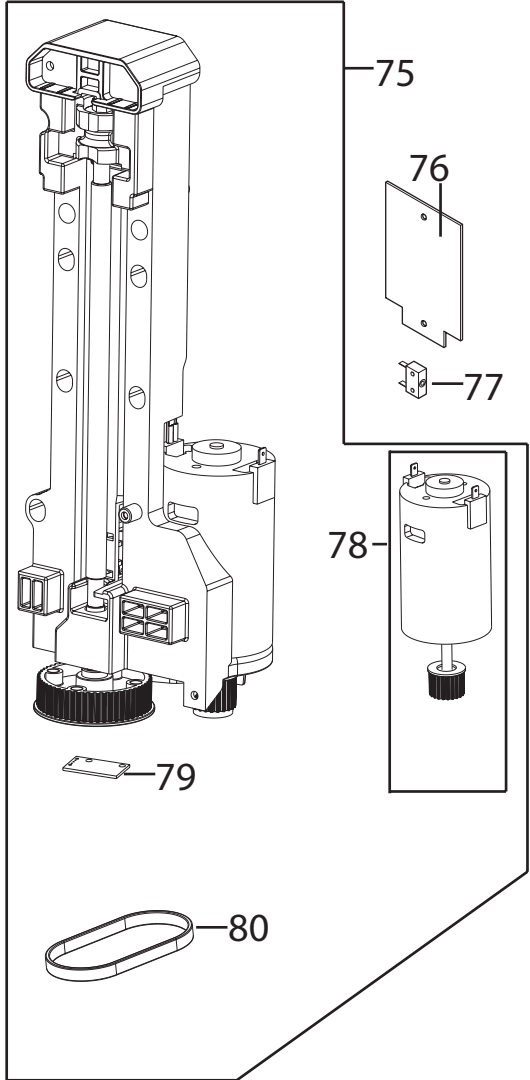
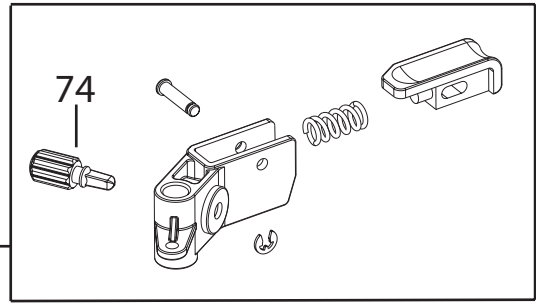
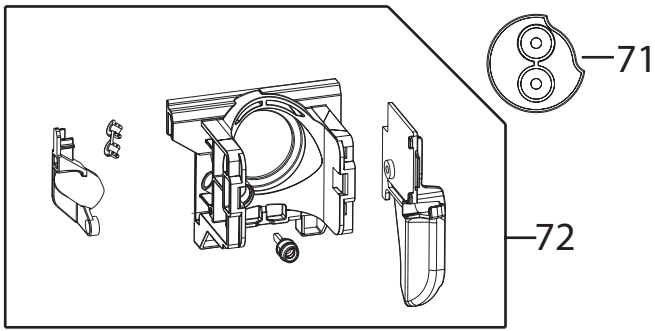
ATTENTION: please, check Serial Number before you order spare parts. If on the label you read CM (as you can see in the above photo) you will have to order spares indicated by letter A.



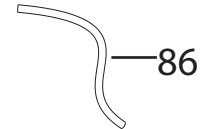




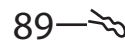
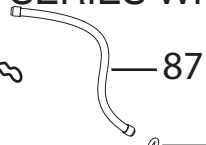




85  
SERIE TUBI  
TUBE SERIES

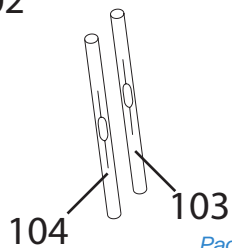
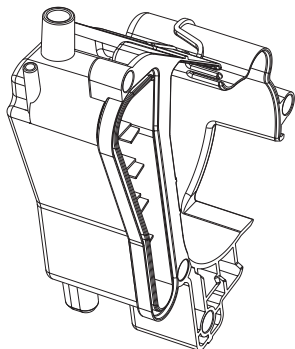
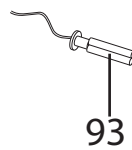
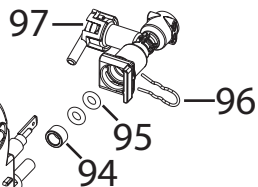
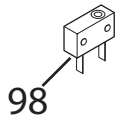
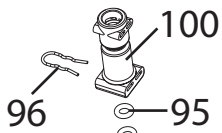
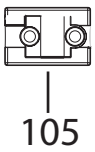
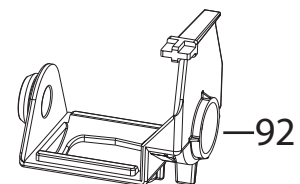
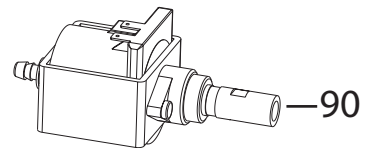
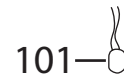


SERIE TUBI CON BOCCOLE  
TUBE SERIES WITH BUSHES



88

88



**DE'LONGHI**  
**CH ECAM23.420.SB**
**ECAM 23.420.SB Intensa**

Pos.	Code	Description
	5332224100	BELT
	5013251461	CAB CONTATORE-VOLUMETRICO L300(PVC)MCSA
001	5313213711	COVER DUST
001A	5313221031	COVER DUST
002	5513214151	COVER
002A	5513214851	COVER
003	7313217651	COVER ASSEMBLY
003A	7313222221	COVER ASSEMBLY
004	5313213421	INDICATOR
004A	5913212611	KNOB
005	5313218551	REAR PANEL
006	5513217011	SIDE LEFT
007	5313213461	TANK
007A	5313219211	TANK
008	5313213721	HINGE
009	5313213441	SWITCH HOLDER
010	5513217001	SIDE RIGHT
011	5313213321	COVER
012	7313212611	TANK
013	5313215251	FRONT PIECE
014	5313213561	DRAWER
015	5313215171	FRONT PIECE
016	6013210411	CUP PLATE
017	5313215211	TRAY
018	5313222641	FLOAT
019	5132112500	SWITCH
020	5313215181	FRONT PIECE
021	5313213551	TRAY
025	7313222231	CONTROL PANEL ASSEMBLY
026	5513219991	BOARD
027	5313213911	COVER
028	5313213901	TANK
029	6132106200	SPRING
030	5332227400	REGULATOR
031	5313213881	COVER
032	5313215321	HANDLE
033	5313215311	DUCT

**DE'LONGHI**  
**CH ECAM23.420.SB**
**ECAM 23.420.SB Intensa**

034	9812631250	SCREW
035	7313212911	TAP
036	5513222431	KNOB
037	5313215291	COVER
038	7313212931	FROTHER
039	5313220031	O-RING
040	5313217751	O-RING
041	5313214381	TUBE
042	5513213751	FROTHER
043	5313214941	RING NUT
047	5213211171	SENSOR REED
048	5213216651	POWER BOARD
049	5313215261	FOOT
054	7313232331	DIFFUSER KIT
055	6113210131	SPRING
056	5313213241	RUBBER PAD
057	5313213191	LEVER
058	9812631250	SCREW
059	6032105300	FILTER
060	5332139600	STOPPER
061	5332139500	VALVE
062	6132112200	SPRING
063	5332149100	O-RING
064	5313213211	PISTON
065	5313210401	COVER-SAVE FINGERS B BLACK
065	5313210401	COVER-SAVE FINGERS B BLACK
065A	5313227651	COVER
066	7313227621	COMPLETE GRINDER
066A	7313230501	COMPLETE GRINDER
070	9812631250	SCREW
071	5313213591	STOPPER
072	7313212631	TROLLEY
073	7313214521	REGULATOR
074	5313213431	RUBBER PAD
075	7313225981	TRANSMISSION KIT
076	5213215001	BOARD
077	5132110500	MICROSWITCH
078	7313217261	MOTOR ASSEMBLY

**DE'LONGHI**  
**CH ECAM23.420.SB**
**ECAM 23.420.SB Intensa**

078	7313217261	MOTOR ASSEMBLY
079	5213213971	HALL SENSOR
080	5332170600	BELT
081	5313236711	TUBE
082	5132104100	MICROSWITCH
083	5332149100	O-RING
084	5313217601	FILTER
085	7313217301	VALVE
086	5313217871	TUBE DI=3 DE=6 L=200
086	5313217861	TUBE DI=3 DE=5,5 L=145
086	5332199500	TUBE DI=4 L=150
087	5513212901	TUBE PTFE DI2-DE4 L=290 2BUSHES
087	5513212871	TUBE PTFE DI2-DE4 L=97 2BUSHES
087	5513212881	TUBE PTFE DI2-DE4 L=270 2BUSHES
087	5513212891	TUBE
088	5313217701	O-RING D=3,85
089	6132101300	CLIP
090	5113211311	PUMP
091	5513211371	REGULATOR
092	5313230671	SUPPORT
093	5213211181	SENSOR NTC
094	5332239300	SPACER
095	5313217691	O-RING D=4,5
096	6113210021	SPRING
097	7313219401	VALVE
098	5113210211	MICROSWITCH
099	5213214671	FLOWMETER
099	5213214671	FLOWMETER
100	5332239200	CONNECTOR
101	5213211161	PROTECTOR
102	5513214291	GENERATOR
103	5013251391	WIRING TCO
104	5013251401	WIRING TCO
105	5513214661	SLIDER