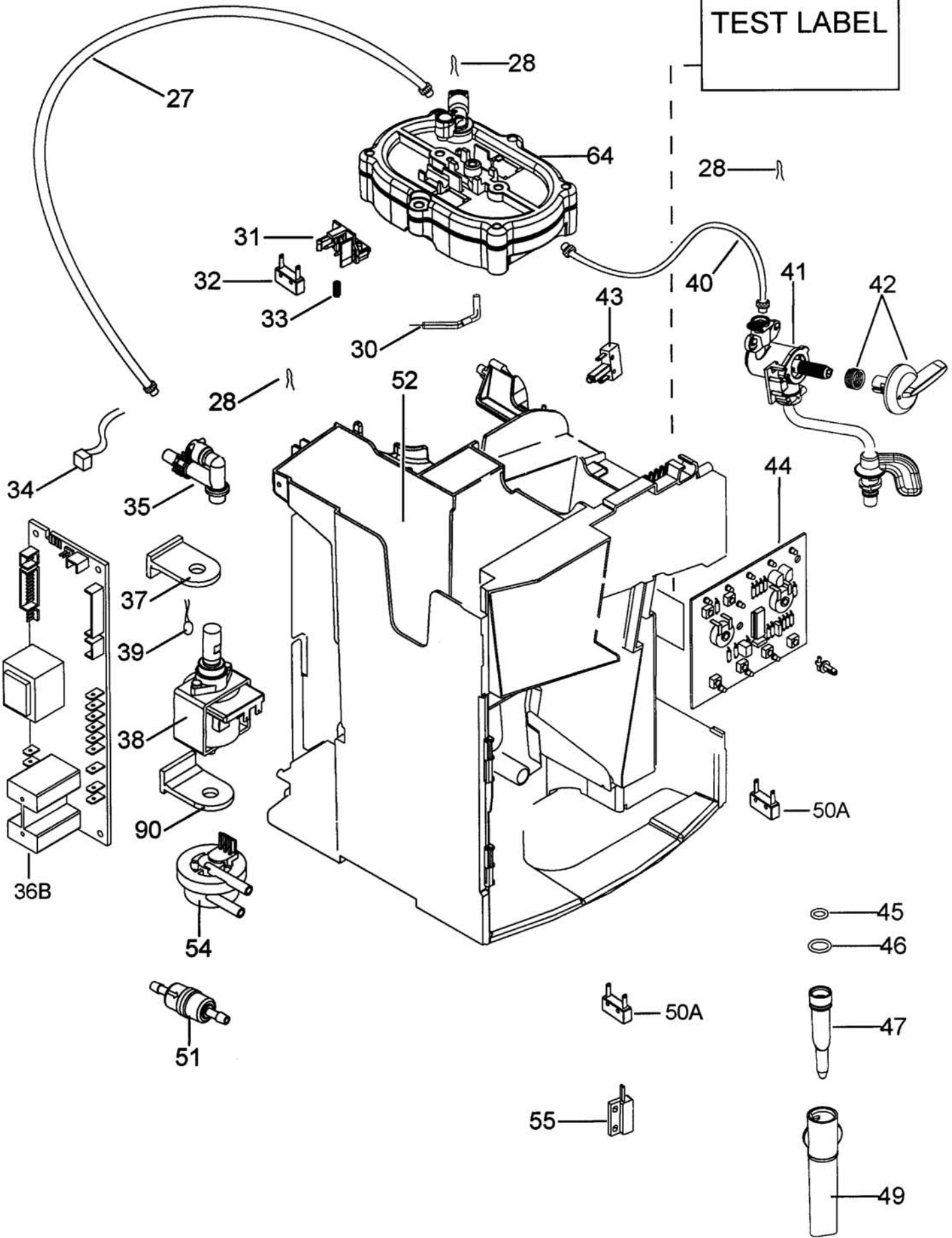


TEST LABEL



27

28

28

31

32

33

30

43

40

41

42

28

52

44

34

35

37

39

38

90

36B

54

51

45

46

50A

47

55

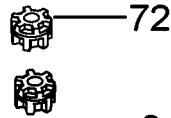
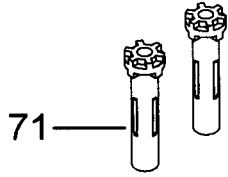
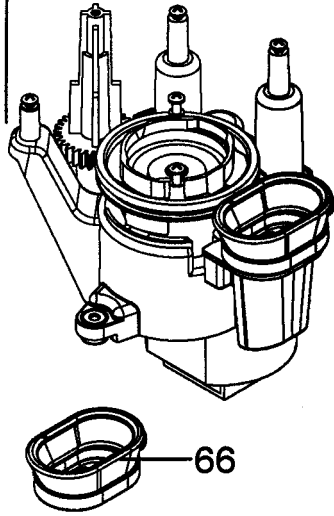
49

TEST LABEL

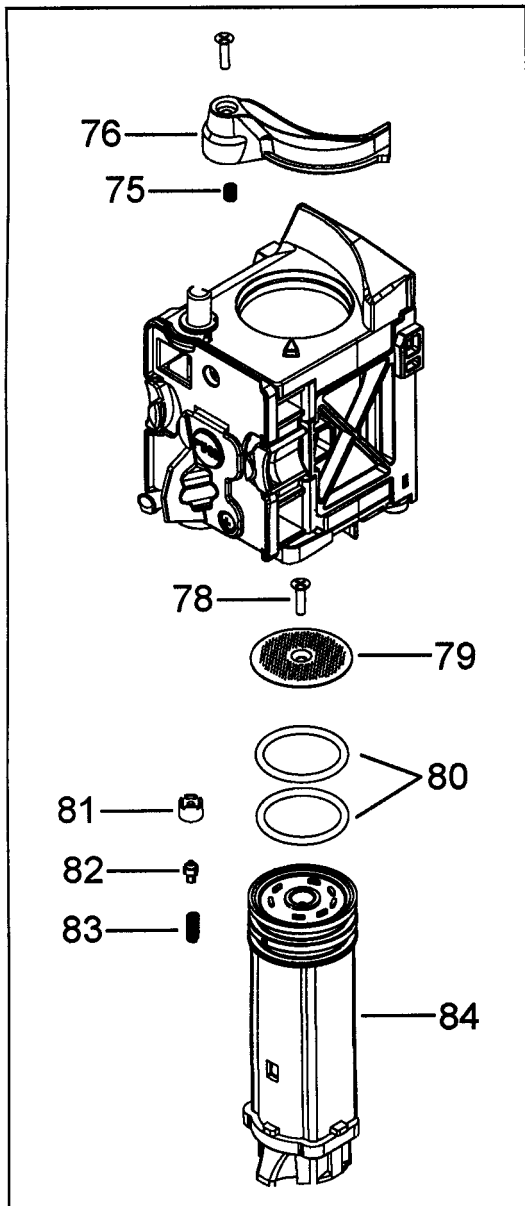
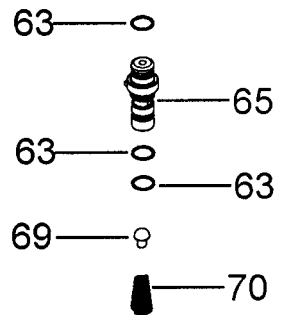
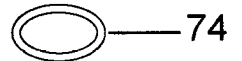
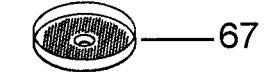
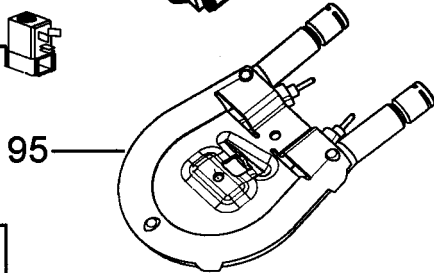
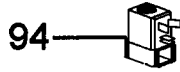
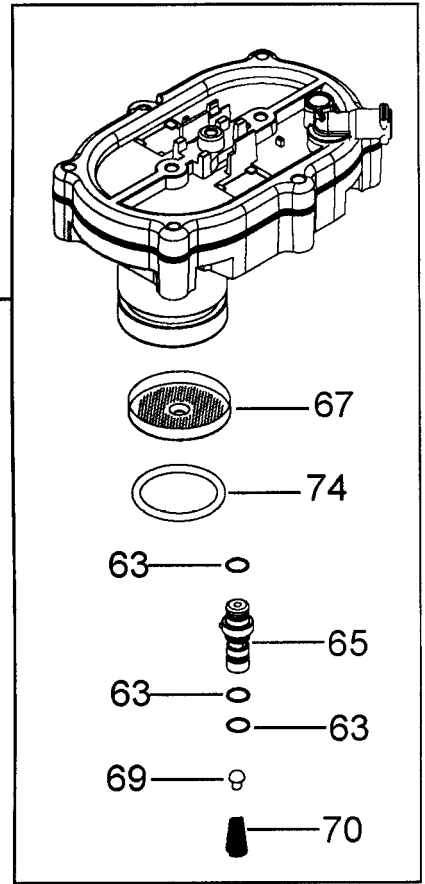
← TO PLACE AN ORDER CHECK THE LABEL

CCCCC **EE** SSSSS PPPP

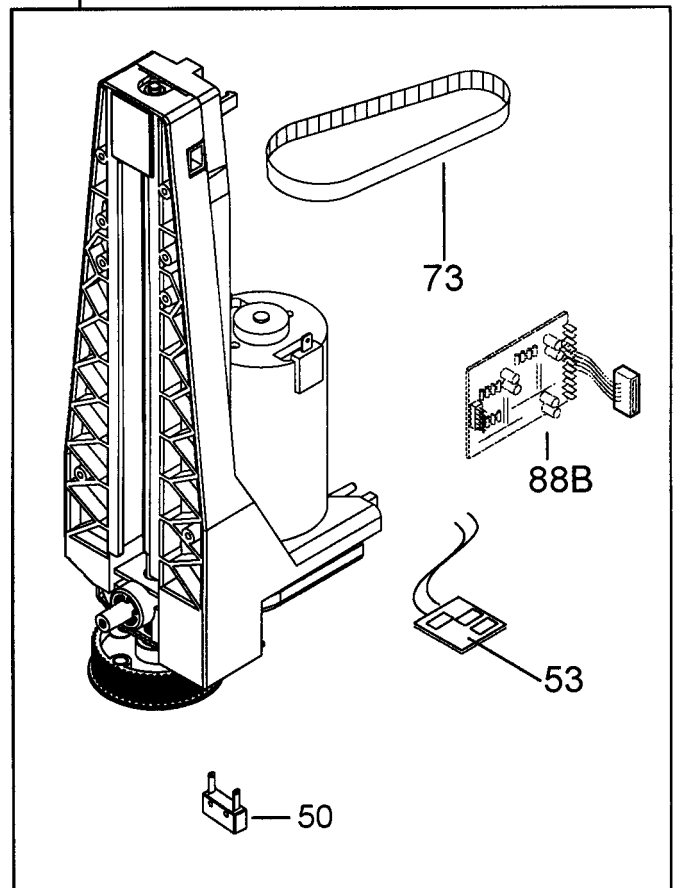
AB=62B



64



68B



A RU INT SKA EAM4300

Pos.	Code	Description
00	7313217261	MOTOR ASSEMBLY
	5313210401	COVER-SAVE FINGERS B BLACK
	5332224100	BELT
01	5332143500	COVER
02	5332143400	COVER
04	7332210400	CLOSURE
05	5332143900	SIDE LEFT
06	5913210471	KNOB
07	5532146600	TANK
08	5332168900	REAR PANEL
09	5332143800	SIDE RIGHT
10	7313223351	CONTROL PANEL ASSEMBLY
11	VI000	SEE TECHNICAL INFORMATION
12	7313220601	DOOR ASSY
13	5332142600	HOOK
14	5332145600	COVER
15	7313228241	TANK
16	5332163500	PROFILE
17	5332164000	CUP PLATE
18	5332185200	TRAY
19	5332225800	BOTTOM
20	5332266300	FLOAT
21	5332169200	MEASURING SPOON
27	5532118000	TUBE PTFE DI2-DE4 L=230 2BUSHES
28	6132101300	CLIP
30	5032513900	TCO
31	5332142200	SUPPORT
32	5132104100	MICROSWITCH
33	6132104700	SPRING
34	5217100200	SENSOR NTC
35	7313219431	VALVE
36B	5232109600	POWER BOARD
37	5332159800	SUPPORT
38	5113211281	PUMP
39	5232103200	PROTECTOR
40	5513212881	TUBE PTFE DI2-DE4 L=270 2BUSHES
41	7313216621	TAP

DE'LONGHI

EAM 4300 MAGNIFICA

A RU INT SKA EAM4300

42	5513222511	KNOB
43	5113210421	MICROSWITCH
44	5232110000	CONTROL BOARD 11 PIN
45	5313217761	O-RING
46	533135	O-RING
47	5332113800	TUBE LOWER
49	5332229600	COVER
50	5113210421	MICROSWITCH
50A	5132105400	MICROSWITCH
51	5513220521	FILTER
52	VI000	SEE TECHNICAL INFORMATION
53	5213213971	HALL SENSOR
54	5213214671	FLOWMETER
55	5232104600	SENSOR REED
62B	7332203600	COMPLETE GRINDER
63	5313217751	O-RING
64	7332182500	GENERATOR
65	5332184900	PIN
66	5332144900	GASKET
67	5332139200	FILTER
68B	7313226111	TRANSMISSION KIT
69	5332148400	VALVE
70	6132106900	SPRING
71	5332142300	BUSH
72	5332142400	BUSH
73	5332170600	BELT
74	5332149100	O-RING
75	6132103500	SPRING
76	5332139800	LEVER
77	7332183900	DIFFUSER KIT
78	9812631250	SCREW
79	6032105300	FILTER
80	5332149100	O-RING
81	5332139600	STOPPER
82	5332139500	VALVE
83	6132106700	SPRING
84	5332140300	PISTON
88B	5213212381	MOTOR BOARD

DE'LONGHI**EAM 4300 MAGNIFICA****A RU INT SKA EAM4300**

89	5332162700	COVER
90	534848	SUPPORT
91	7332166600	SLIDER
92	5232105000	TCO
93	5232104500	THERMOSTAT
94	5213210171	SOLENOID VALVE
95	IT0286	SEE TECHNICAL INFORMATION