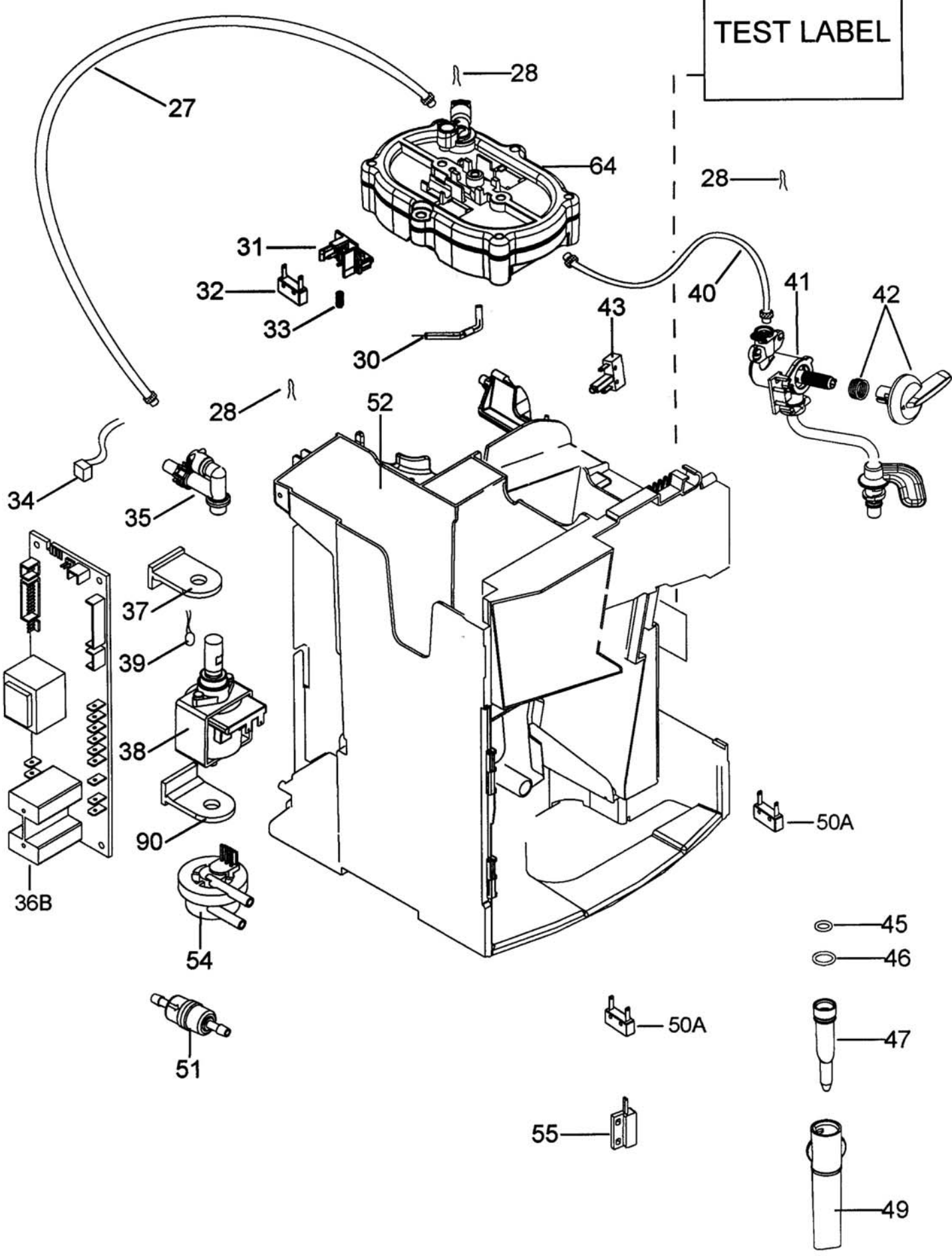


TEST LABEL



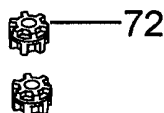
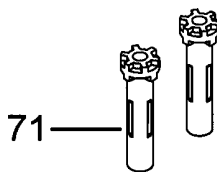
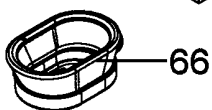
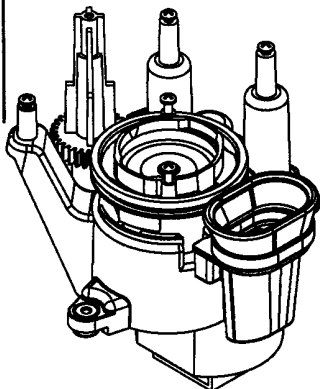
TEST LABEL



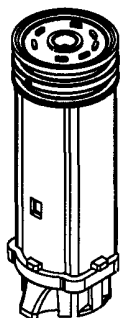
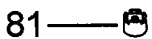
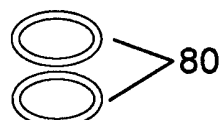
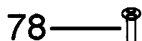
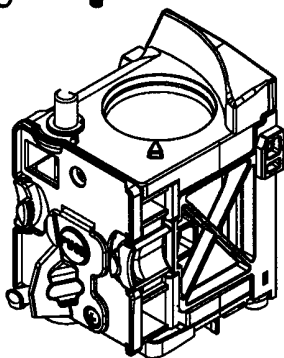
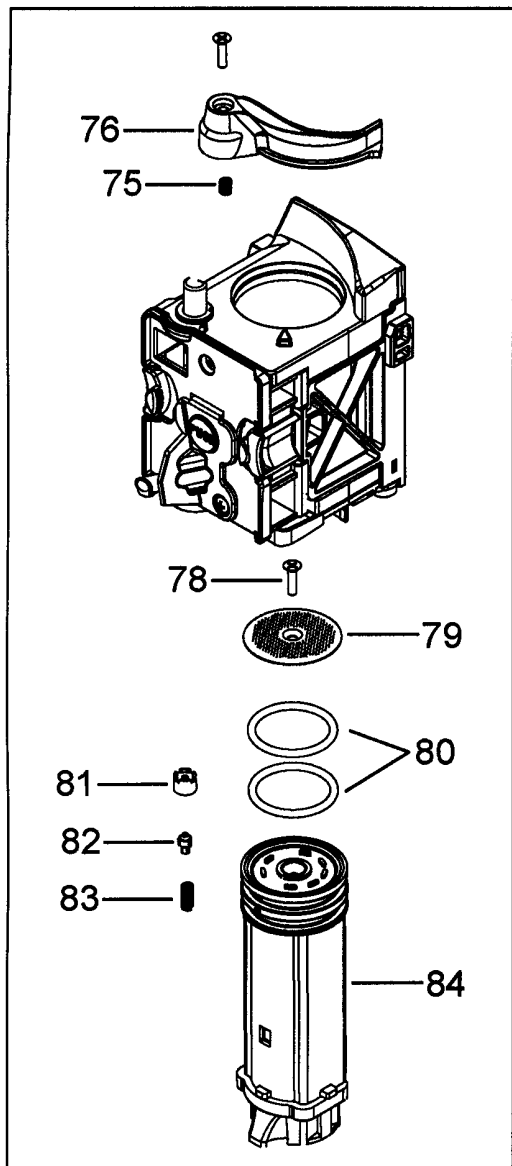
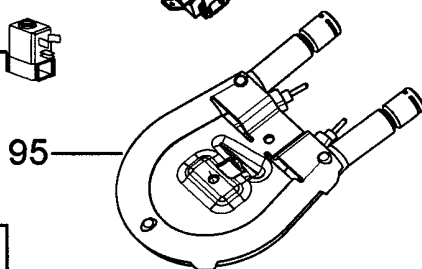
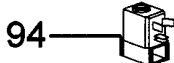
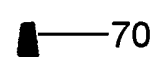
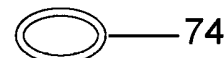
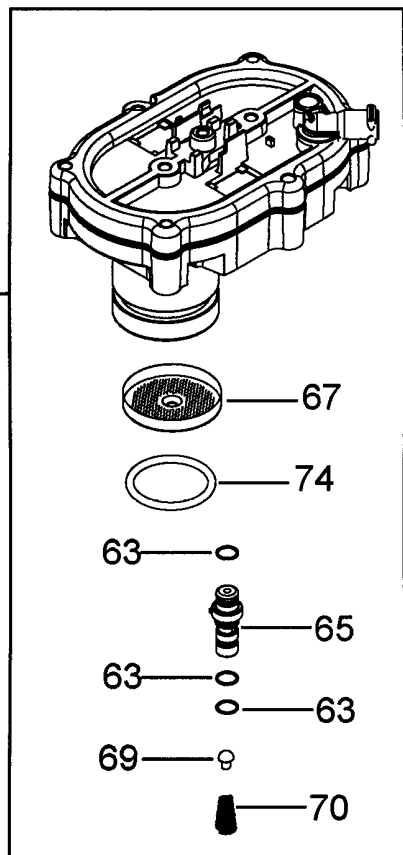
TO PLACE AN ORDER CHECK THE LABEL

CCCCC **EE** SSSSS PPPP

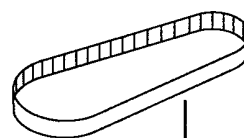
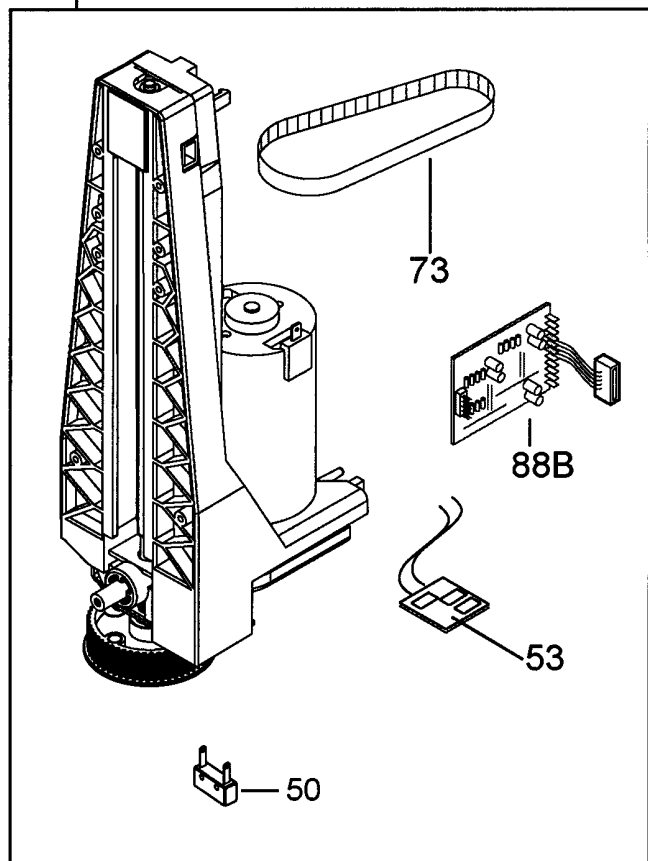
AB=62B



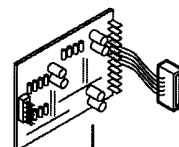
64



68B



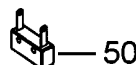
73



88B

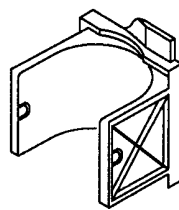


53



50

77



91

| Pos. | Code | Description |
|------|------------|---------------------------------|
| | 5332224100 | BELT |
| | 5313210401 | COVER-SAVE FINGERS B BLACK |
| | 7313217261 | MOTOR ASSEMBLY |
| 001 | 5332172500 | COVER |
| 002 | 5332172400 | COVER |
| 004 | 7313224471 | CLOSURE |
| 005 | 5332172700 | SIDE LEFT |
| 006 | 5913210471 | KNOB |
| 007 | 5532146600 | TANK |
| 008 | 5332172800 | REAR PANEL |
| 009 | 5332172600 | SIDE RIGHT |
| 010 | 5932113100 | CONTROL PANEL |
| 011 | VI000 | SEE TECHNICAL INFORMATION |
| 012 | 7313220631 | DOOR ASSY |
| 013 | 5332142600 | HOOK |
| 014 | 5332145600 | COVER |
| 015 | 7313228241 | TANK |
| 016 | 5332171900 | PROFILE |
| 017 | 6032105000 | CUP PLATE |
| 018 | 5332169700 | TRAY |
| 019 | 5332225800 | BOTTOM |
| 020 | 5332266300 | FLOAT |
| 021 | 5332169200 | MEASURING SPOON |
| 027 | 5532118000 | TUBE PTFE DI2-DE4 L=230 2BUSHES |
| 028 | 6132101300 | CLIP |
| 030 | 5032513900 | TCO |
| 031 | 5332142200 | SUPPORT |
| 032 | 5132104100 | MICROSWITCH |
| 033 | 6132104700 | SPRING |
| 034 | 5217100200 | SENSOR NTC |
| 035 | 7313219431 | VALVE |
| 036B | 5232109800 | POWER BOARD |
| 037 | 5332159800 | SUPPORT |
| 038 | 5113211281 | PUMP |
| 039 | 5232103200 | PROTECTOR |
| 040 | 5513212881 | TUBE PTFE DI2-DE4 L=270 2BUSHES |
| 041 | 7313216621 | TAP |

DE'LONGHI
INT EAM3400.S**EAM 3400.S MAGNIFICA**

| | | |
|------|------------|---------------------------|
| 042 | 5513222451 | KNOB |
| 043 | 5113210421 | MICROSWITCH |
| 044 | 5232114200 | CONTROL BOARD |
| 045 | 5313217761 | O-RING |
| 046 | 533135 | O-RING |
| 047 | 5332113800 | TUBE LOWER |
| 048 | 5332172100 | PUSH BUTTON |
| 049 | 5332229600 | COVER |
| 050 | 5113210421 | MICROSWITCH |
| 050A | 5132105400 | MICROSWITCH |
| 051 | 5513220521 | FILTER |
| 052 | VI000 | SEE TECHNICAL INFORMATION |
| 053 | 5213213971 | HALL SENSOR |
| 054 | 5213214671 | FLOWMETER |
| 055 | 5232104600 | SENSOR REED |
| 062B | 7332203600 | COMPLETE GRINDER |
| 063 | 5313217751 | O-RING |
| 064 | 7332182500 | GENERATOR |
| 065 | 5332184900 | PIN |
| 066 | 5332144900 | GASKET |
| 067 | 5332139200 | FILTER |
| 068B | 7313226111 | TRANSMISSION KIT |
| 069 | 5332148400 | VALVE |
| 070 | 6132106900 | SPRING |
| 071 | 5332142300 | BUSH |
| 072 | 5332142400 | BUSH |
| 073 | 5332170600 | BELT |
| 074 | 5332149100 | O-RING |
| 075 | 6132103500 | SPRING |
| 076 | 5332139800 | LEVER |
| 077 | 7332183900 | DIFFUSER KIT |
| 078 | 9812631250 | SCREW |
| 079 | 6032105300 | FILTER |
| 080 | 5332149100 | O-RING |
| 081 | 5332139600 | STOPPER |
| 082 | 5332139500 | VALVE |
| 083 | 6132106700 | SPRING |
| 084 | 5332140300 | PISTON |

DE'LONGHI
INT EAM3400.S**EAM 3400.S MAGNIFICA**

| | | |
|------|------------|-----------------|
| 088B | 5213212381 | MOTOR BOARD |
| 089 | 5332171500 | COVER |
| 090 | 534848 | SUPPORT |
| 091 | 7332166600 | SLIDER |
| 092 | 5232105000 | TCO |
| 093 | 5232104500 | THERMOSTAT |
| 094 | 5213210171 | SOLENOID VALVE |
| 095 | 5532120000 | HEATING Element |
| 096 | 5332170800 | GLASS |
| 097 | 7132102500 | FRONT PANEL |
| 098 | 5332180200 | TEMPLATE |
| 099 | 5332170700 | COVER |
| 100 | 5332170900 | KEYBOARD |
| 101 | 5932113600 | PUSH BUTTON |
| 102 | 5932113700 | PUSH BUTTON |
| 103 | 5932113300 | PUSH BUTTON |
| 104 | 5932113200 | PUSH BUTTON |